



CRISTAL

easy | practic | invisible

GLASS PROTECTIVE BARRIERS



FEATURES:

Classic line, easy to install for a stable and immediate protection, with stainless steel accessories.

AVAILABLE OPTIONS:

- ✓ EASY MT steel / MT steel speak-thru
- ✓ EASY MU steel / MU steel speak-thru

GLASS THICKNESS:

- ✓ For 4 to 6 mm glass - MU/MT steel



invisible invisible PH

FEATURES:

System to be installed to the base through linear profiles. Minimal design for a perfect and refined integration in any working environment.

AVAILABLE OPTIONS:

- ✓ Glass only
- ✓ With slot
- ✓ With slot and accessories for speak-thru
- ✓ With accessories for speak-thru

GLASS THICKNESS:

- ✓ INVISIBLE For 8 mm glass
- ✓ INVISIBLE PH For 10 mm glass



practic

FEATURES:

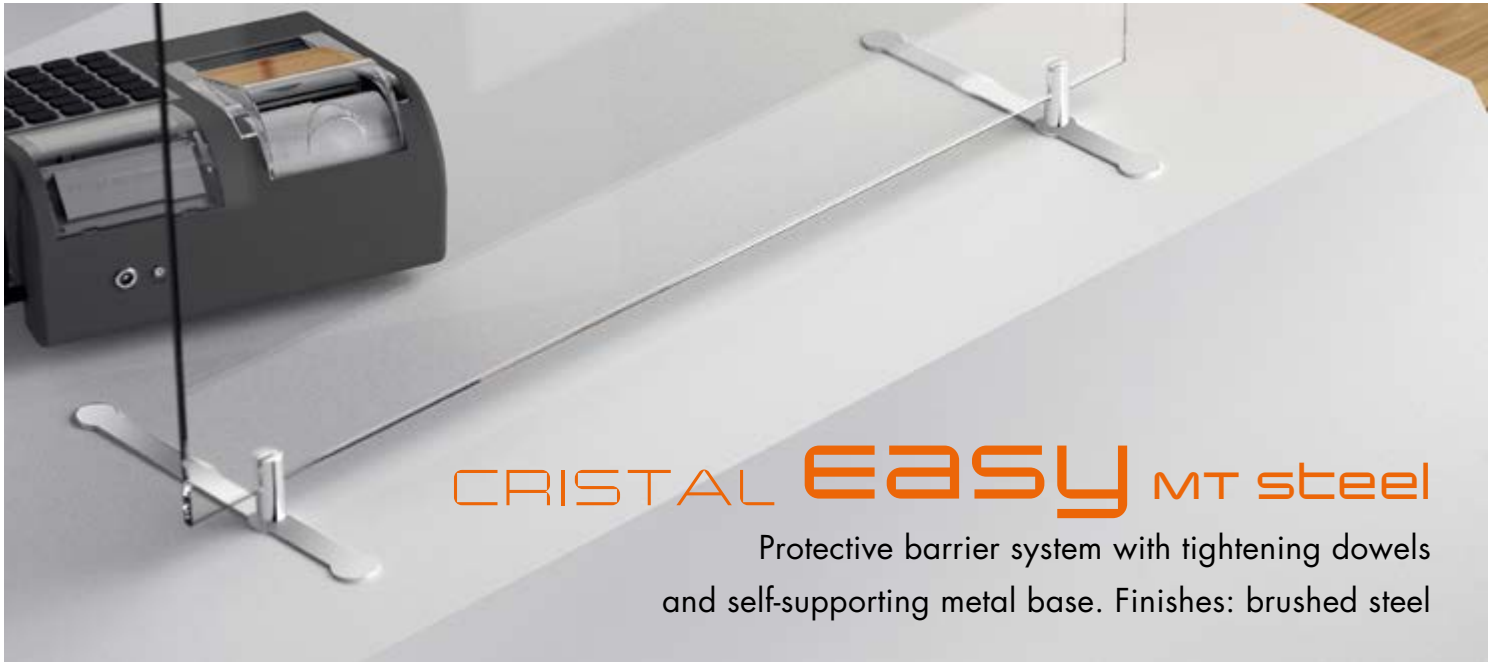
Highly firm system, suitable to any use, which simplifies the cleaning of the working table thanks to its crystal base.

AVAILABLE OPTIONS:

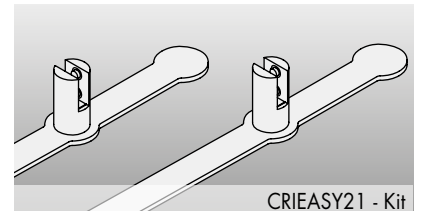
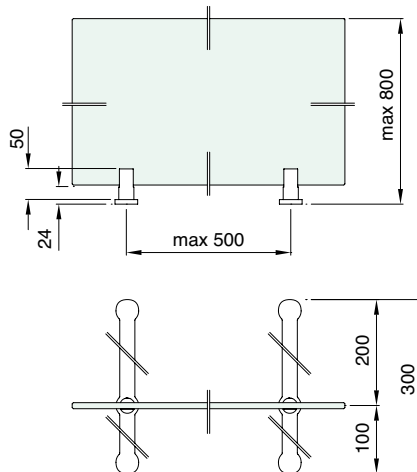
- ✓ Glass only
- ✓ With slot
- ✓ With slot and accessories for speak-thru
- ✓ With accessories for speak-thru

GLASS THICKNESS:

- ✓ For 8 mm glass



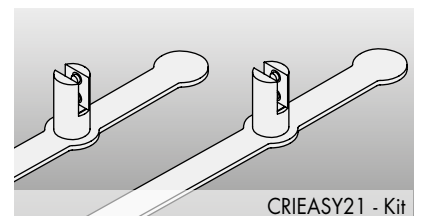
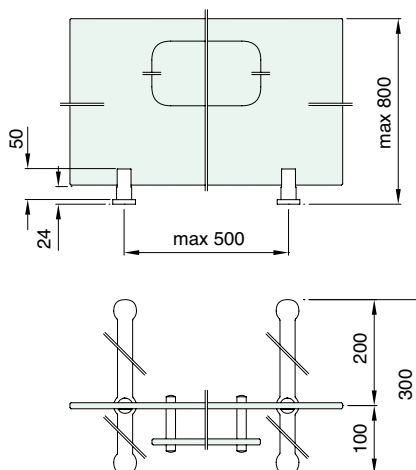
EASY Kit MT STEEL



*Glass not included

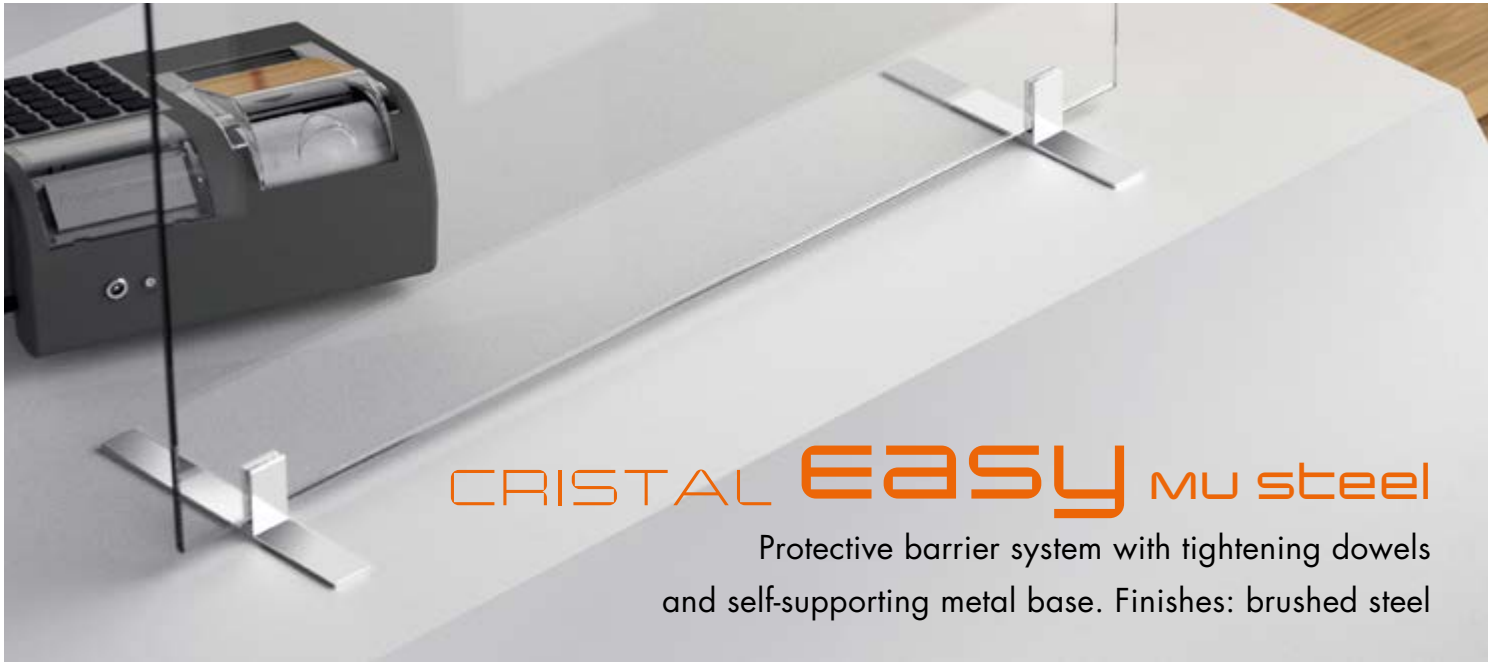
Art.	Description	For glass	Q.ty
CRIEASY21	Protective glass barrier with MT steel clamps	from 4 to 6 mm	1 Kit

EASY Kit MT STEEL and accessories for speak-thru



*Glass not included

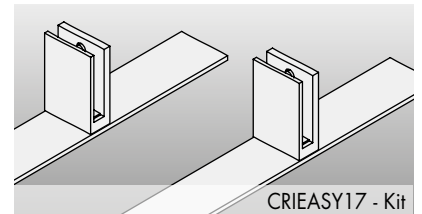
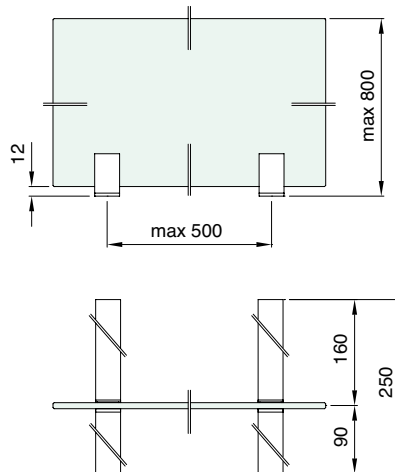
Art.	Description	For glass	Q.ty
CRIEASY23	Protective glass barrier with MT steel clamps and accessories for speak-thru	from 4 to 6 mm	1 Kit



CRISTAL EASY MU steel

Protective barrier system with tightening dowels and self-supporting metal base. Finishes: brushed steel

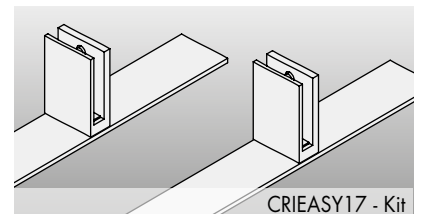
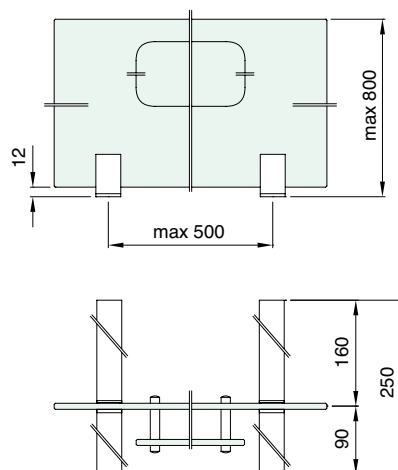
EASY Kit MU STEEL



*Glass not included

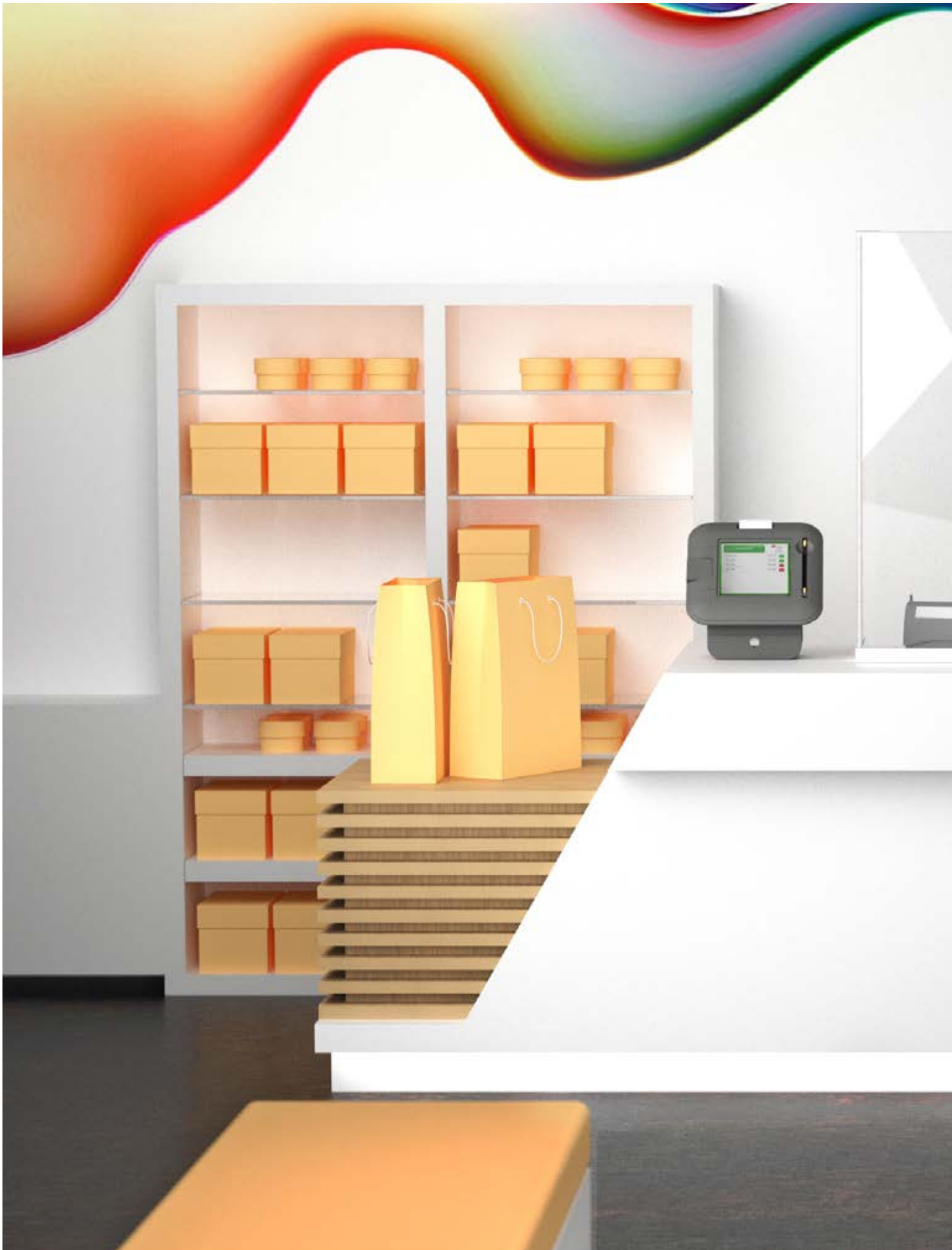
Art.	Description	For glass	Q.ty
CRIEASY17	Protective glass barrier with MU steel clamps	from 4 to 6 mm	1 Kit

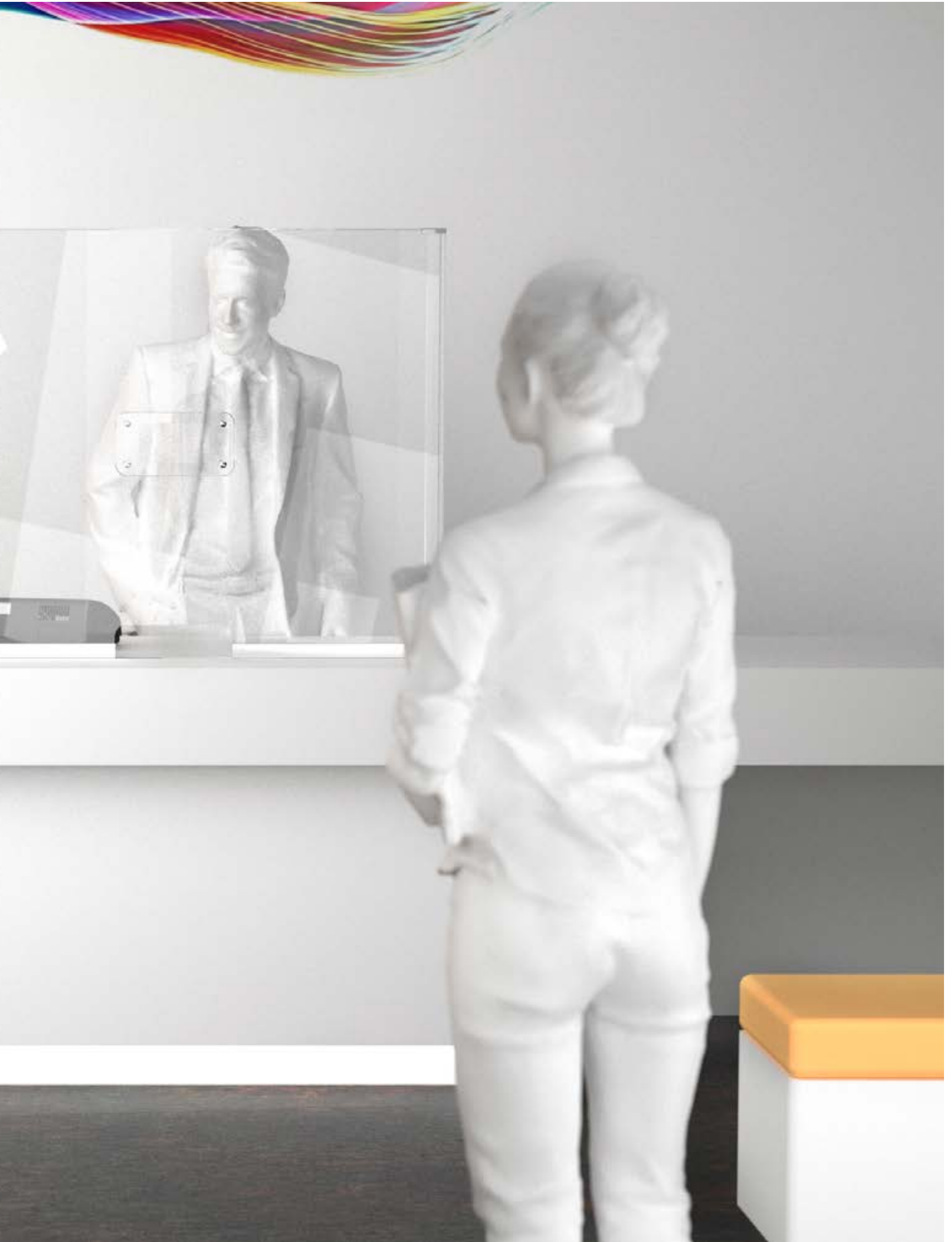
EASY Kit MU STEEL and accessories for speak-thru



*Glass not included

Art.	Description	For glass	Q.ty
CRIEASY19	Protective glass barrier with MU steel clamps and accessories for speak-thru	from 4 to 6 mm	1 Kit







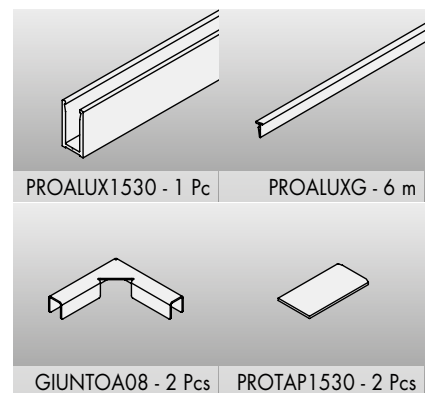
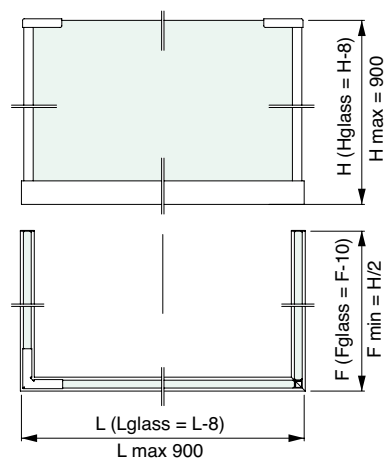
CRISTAL invisible

Minimal design protective system to be installed onto the working desk
 Finishes: polished aluminum, matt aluminum, brushed-steel effect aluminum.
 Other finishes on demand.

INVISIBLE Kit for glass only



*Glass not included



Art.
CRIINV01

Description
Kit for linear protection to be installed onto the base

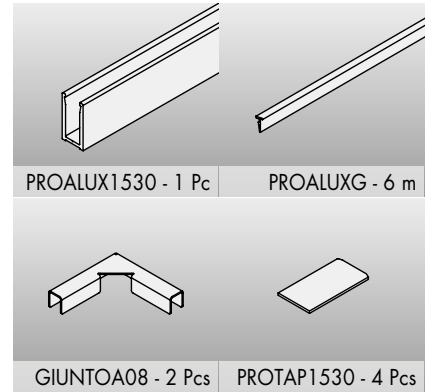
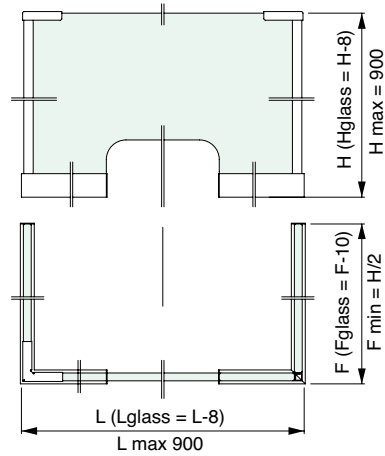
For glass
8 mm

Q.ty
1 Kit

INVISIBLE Kit for glass with slot



*Glass not included

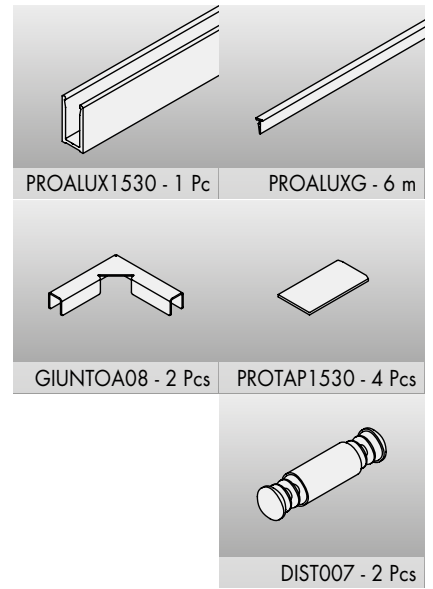
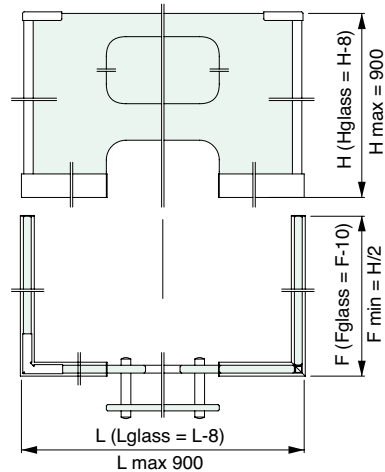


Art.	Description	For glass	Q.ty
CRINVO3	Kit for linear protection to be installed onto the base with slot	8 mm	1 Kit

INVISIBLE Kit for glass with slot and accessories for speak-thru



*Glass not included

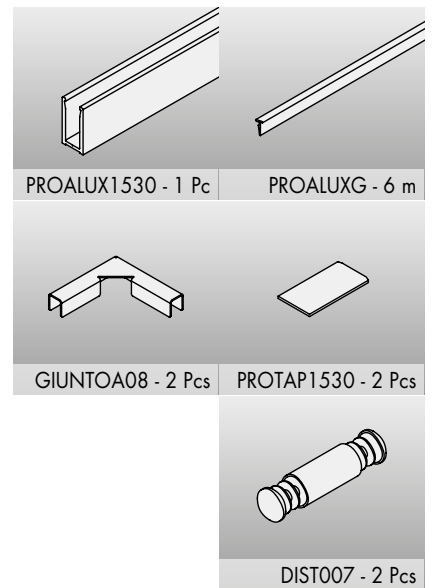
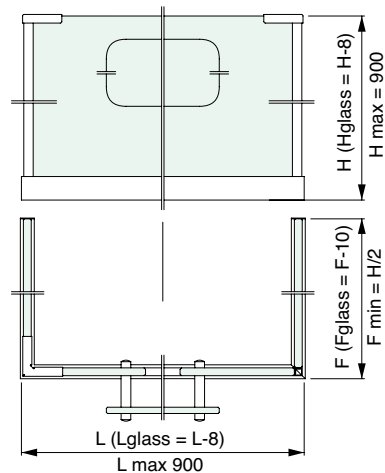


Art.	Description	For glass	Q.ty
CRINVO5	Kit for linear protection to be installed onto the base with slot and accessories for speak-thru	8 mm	1 Kit

INVISIBLE Kit for glass with accessories for speak-thru



*Glass not included



Art.	Description	For glass	Q.ty
CRINVO7	Kit for linear protection to be installed onto the base with accessories for speak-thru	8 mm	1 Kit



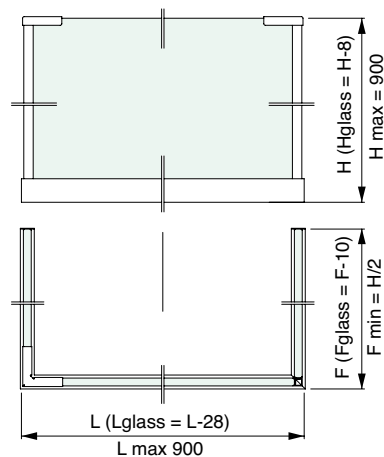
CRISTAL invisible PH

Minimal design protective system to be installed onto the working desk
 Finishes: polished aluminum, matt aluminum, brushed-steel effect aluminum.
 Other finishes on demand.

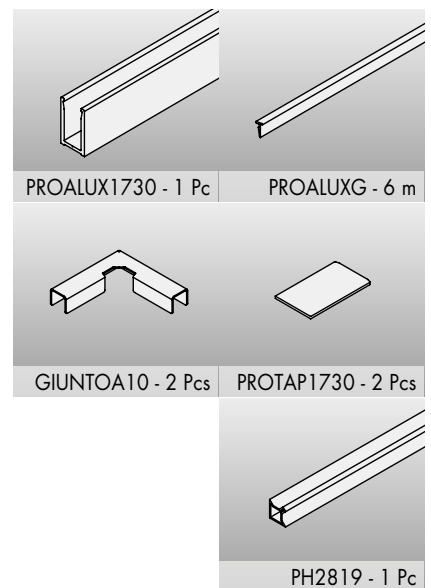
INVISIBLE PH Kit for glass only



*Glass not included



NOTE: the edges of the glass touching PH2819 need a 2x45° beveling

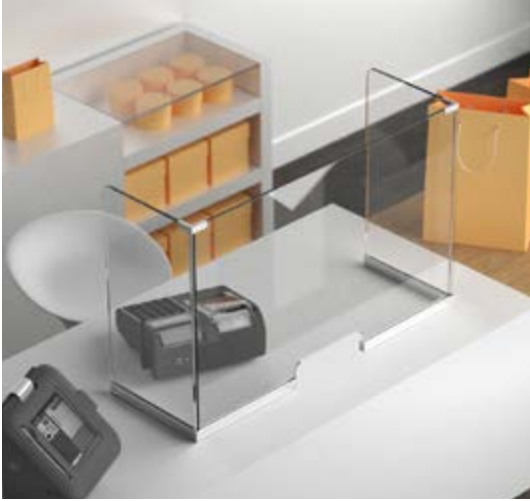


Art.	Description
CRIINVPH01	Kit for linear protection to be installed onto the base

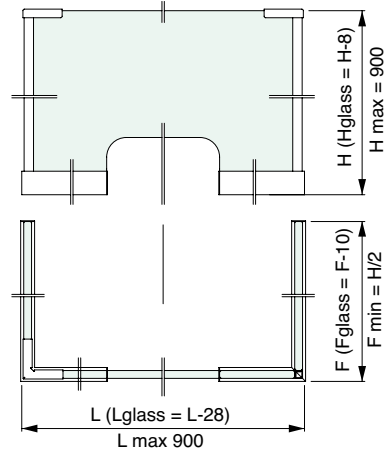
For glass
10 mm

Q.ty
1 Kit

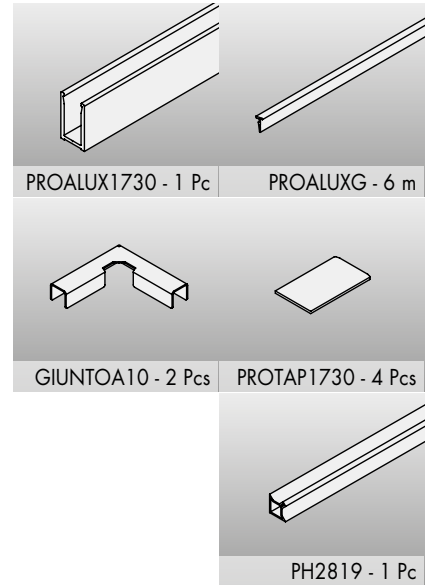
INVISIBLE PH Kit for glass with slot



*Glass not included



NOTE: the edges of the glass touching PH2819 need a 2x45° beveling

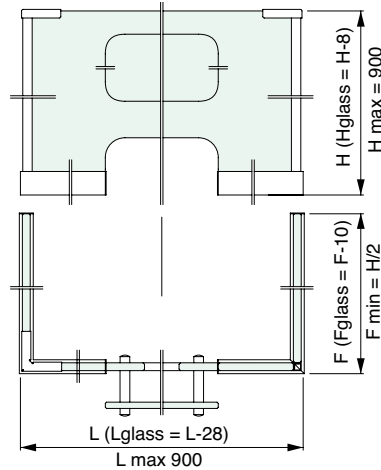


Art.	Description	For glass	Q.ty
CRINVPH03	Kit for linear protection to be installed onto the base with slot	10 mm	1 Kit

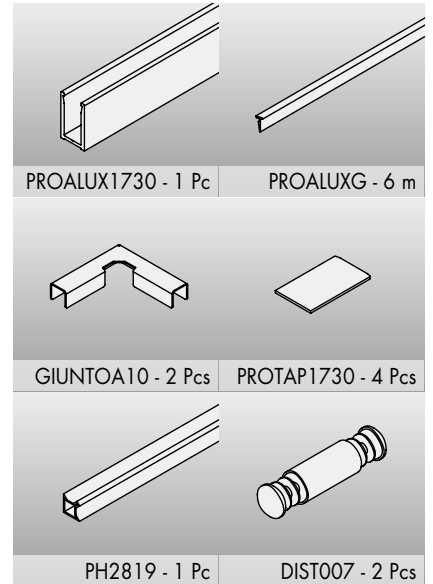
INVISIBLE PH Kit for glass with slot and accessories for speak-thru



*Glass not included



NOTE: the edges of the glass touching PH2819 need a 2x45° beveling

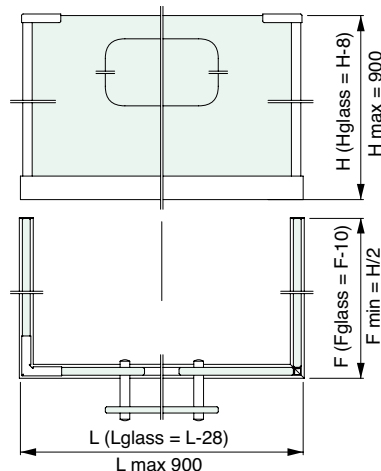


Art.	Description	For glass	Q.ty
CRINVPH05	Kit for linear protection to be installed onto the base with slot and accessories for speak-thru	10 mm	1 Kit

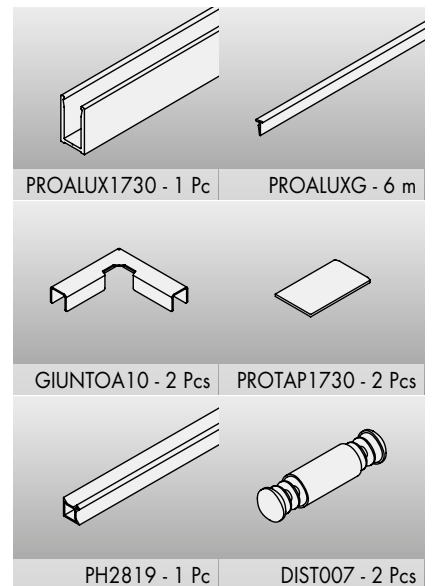
INVISIBLE PH Kit for glass with accessories for speak-thru



*Glass not included



NOTE: the edges of the glass touching PH2819 need a 2x45° beveling



Art.	Description	For glass	Q.ty
CRINVPH07	Kit for linear protection to be installed onto the base with accessories for speak-thru	10 mm	1 Kit

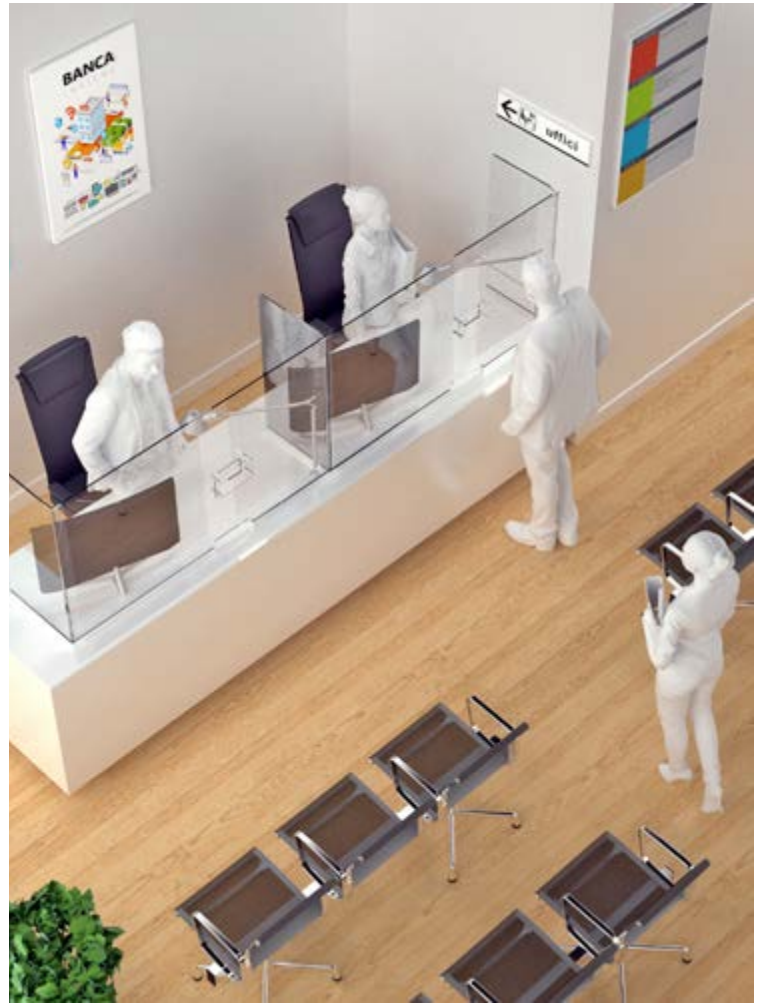
invisible and
invisible PH

MULTIPLE
INSTALLATION
SYSTEM

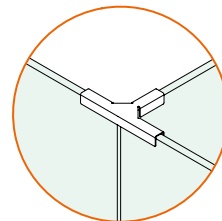
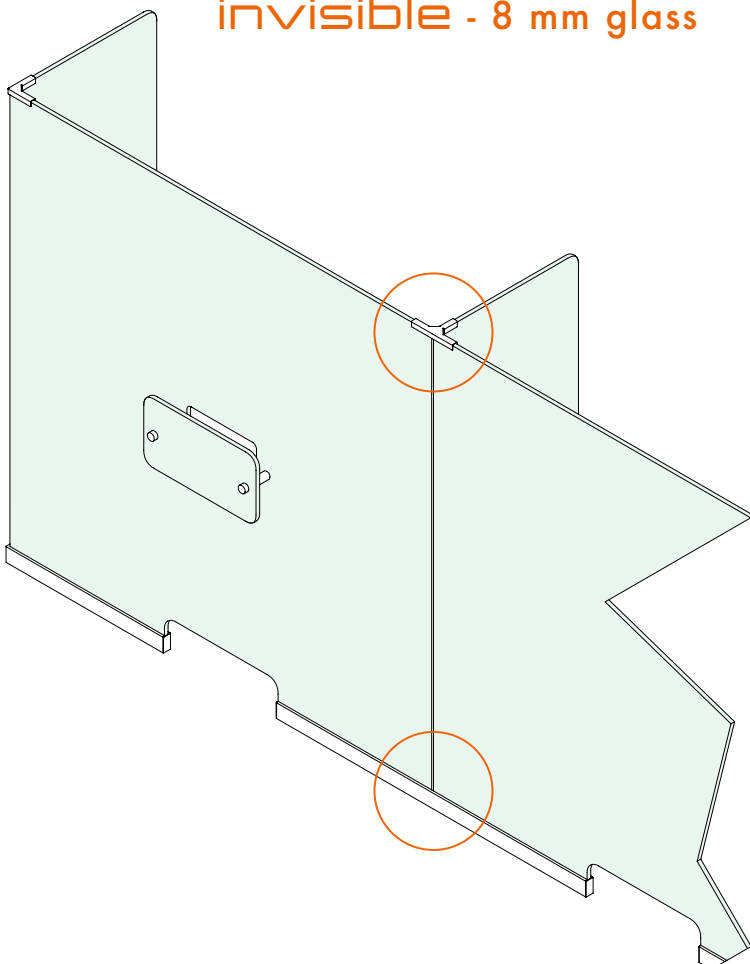
Cristal Invisible can be installed in order to obtain linear protective systems for multiple workspaces.

Multiple linear systems are linked one to the other thanks to the proper "T" joint.

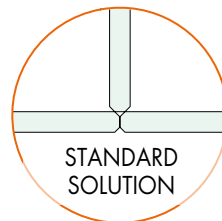
The optional installation of polycarbonate biadhesive connecting profiles allows to obtain perfectly-levelled continuous surfaces.



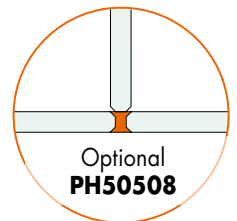
invisible - 8 mm glass



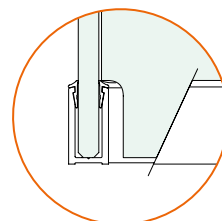
GIUNTOTO8



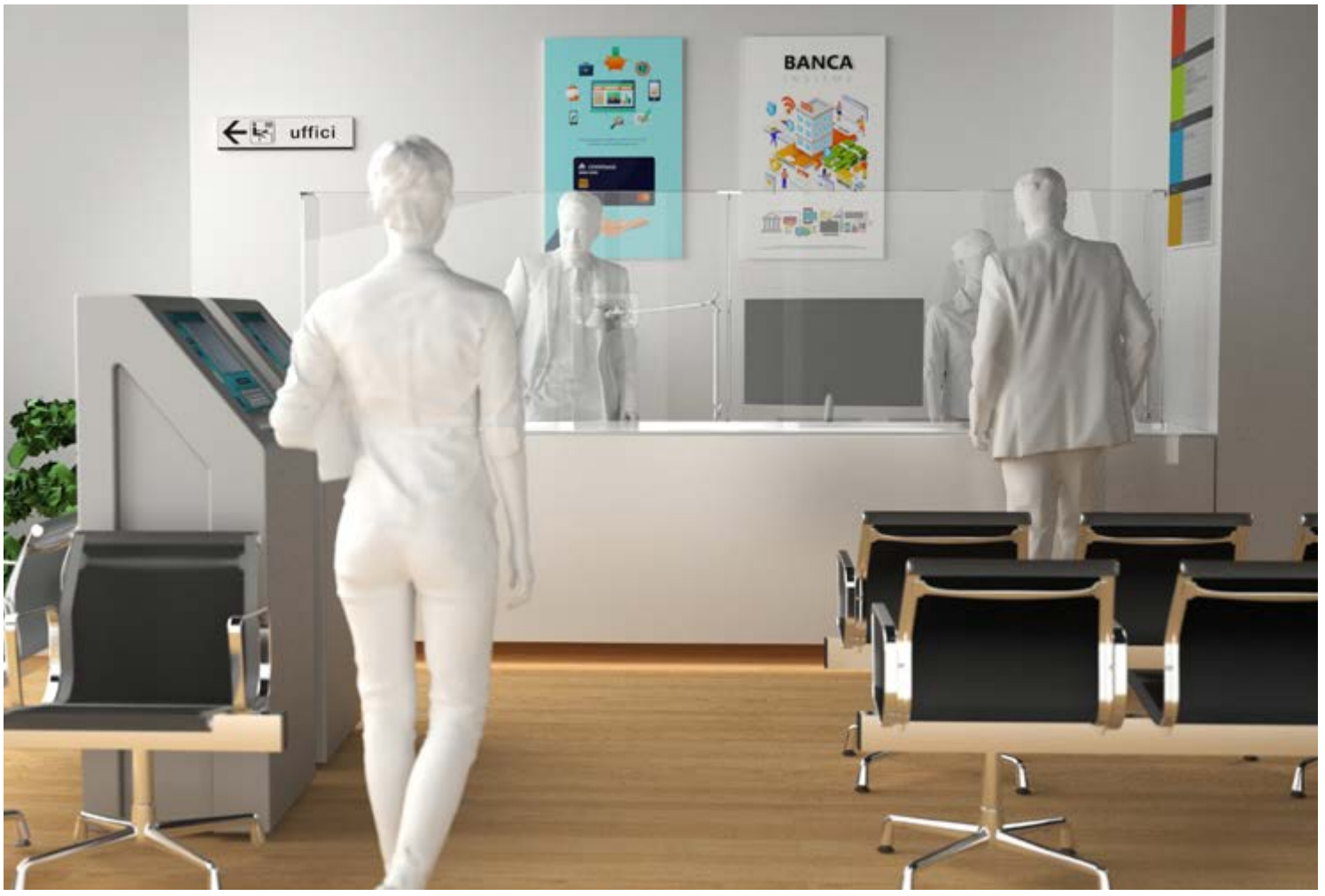
STANDARD
SOLUTION



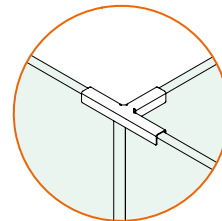
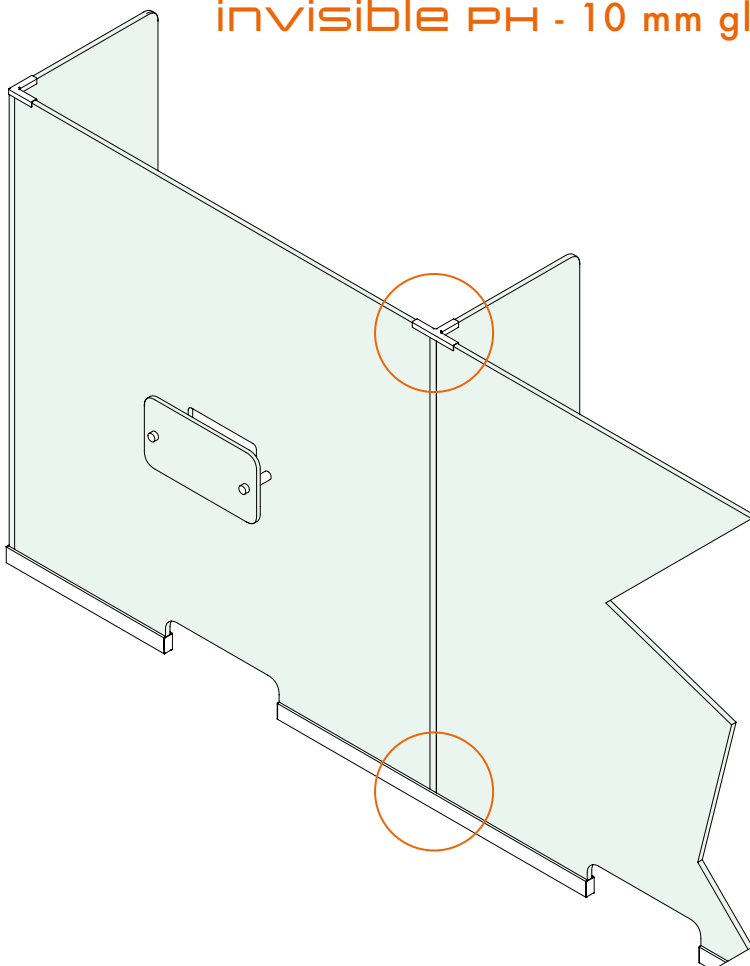
Optional
PH50508



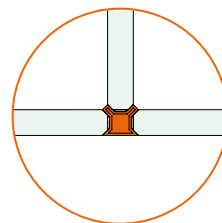
Glass cut out
for central glass-fin



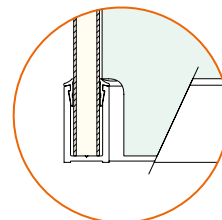
invisible PH - 10 mm glass



GIUNTOT10



PH2826



Glass cut out
for central glass-fin



CRISTAL **practic**

Protective barrier system with self-supporting crystal base.

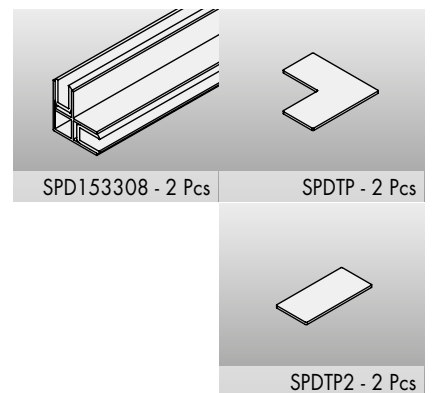
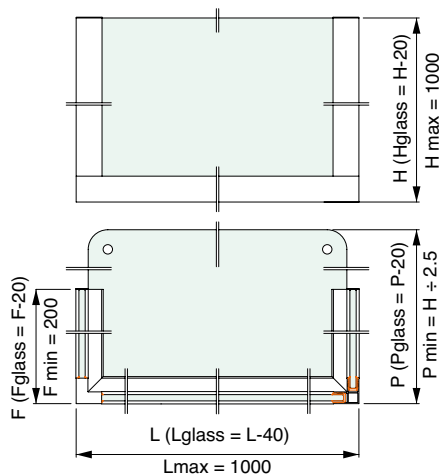
Finishes: polished aluminum, matt black.

Other finishes on demand.

PRACTIC **Kit for glass only**



*Glass not included

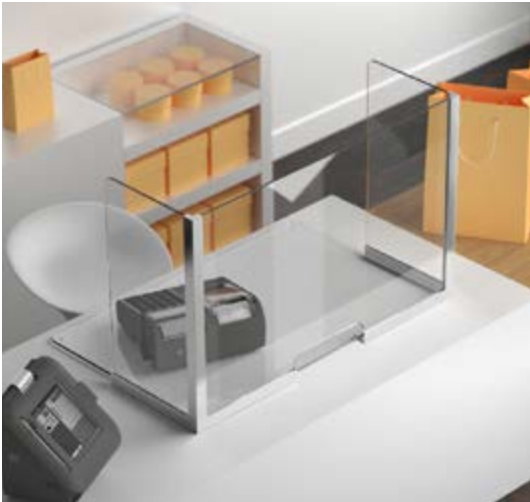


Art.	Description
CRIPRA01	Kit for linear protection with crystal base

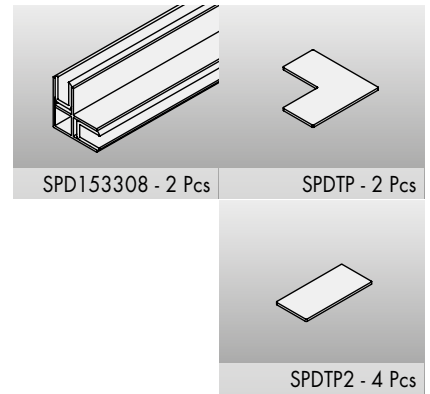
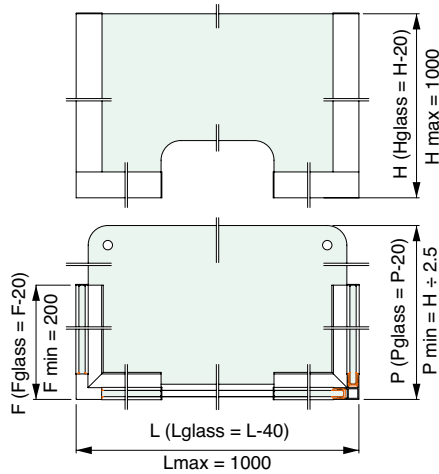
For glass
8 mm

Q.ty
1 Kit

PRACTIC Kit for glass with slot



*Glass not included

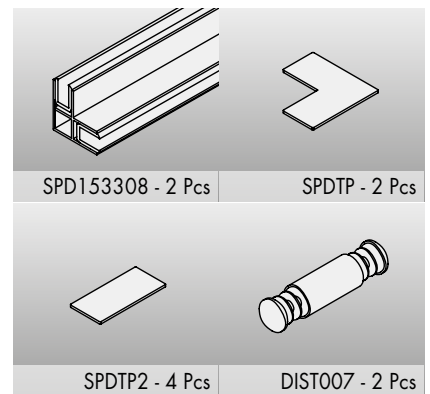
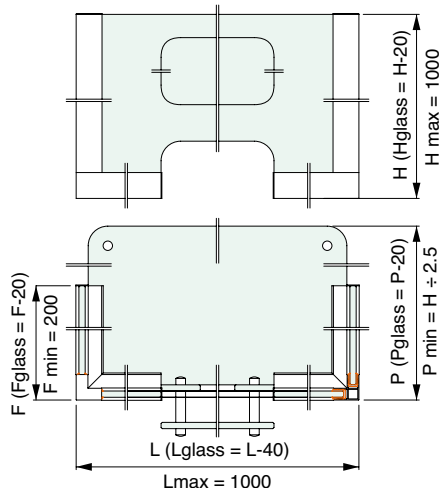


Art.	Description	For glass	Q.ty
CRIPRA03	Kit for linear protection with base and slot	8 mm	1 Kit

PRACTIC Kit for glass with slot and accessories for speak-thru



*Glass not included

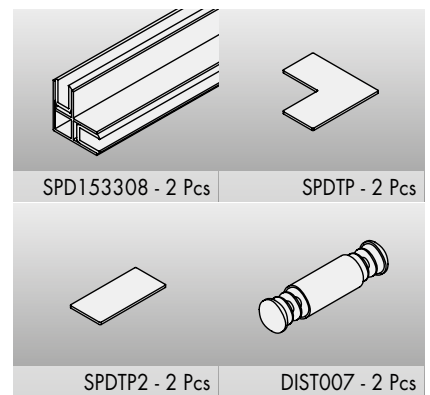
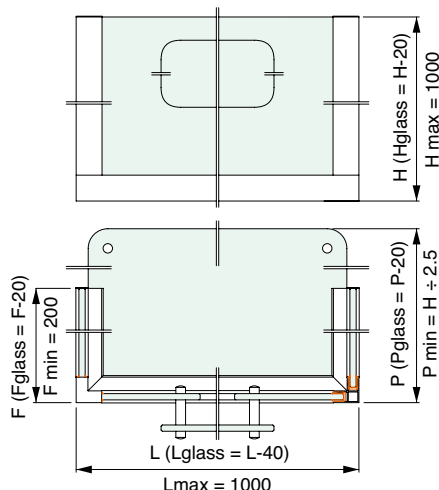


Art.	Description	For glass	Q.ty
CRIPRA05	Kit for linear protection with base, slot and accessories for speak-thru	8 mm	1 Kit

PRACTIC Kit for glass with accessories for speak-thru



*Glass not included



Art.	Description	For glass	Q.ty
CRIPRA07	Kit for linear protection with base and accessories for speak-thru	8 mm	1 Kit

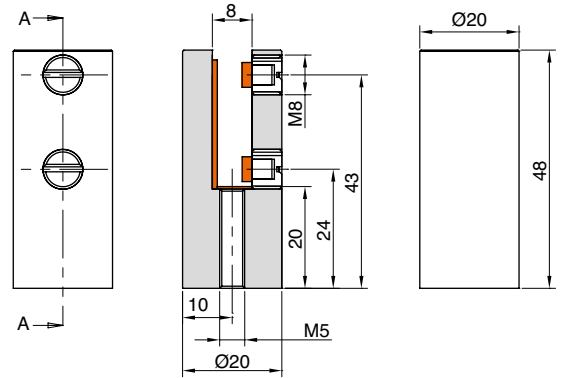


CYLINDRICAL CLAMP

Material: AISI 304 steel

Features: cylindrical clamp with double grub screws and threaded base

Finish: machined steel (CNC)



Art.
MT2050

Dimensions
H48 x Ø20 mm

For glass
4/6 mm

Q.ty
1 Pc

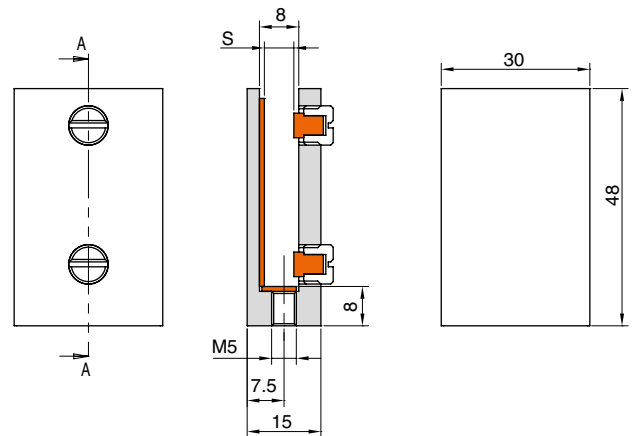


"U" SECTION CLAMP

Material: AISI 304 steel

Features: U-section clamp with double grub screws and threaded base

Finish: brushed steel



Art.
MU5030

Dimensions
H48 x L30 mm

For glass
4/6 mm

Q.ty
1 Pc

SUPPORT BASE

Material: AISI 304 stainless steel

Features: support base for clamp, connecting screw included.

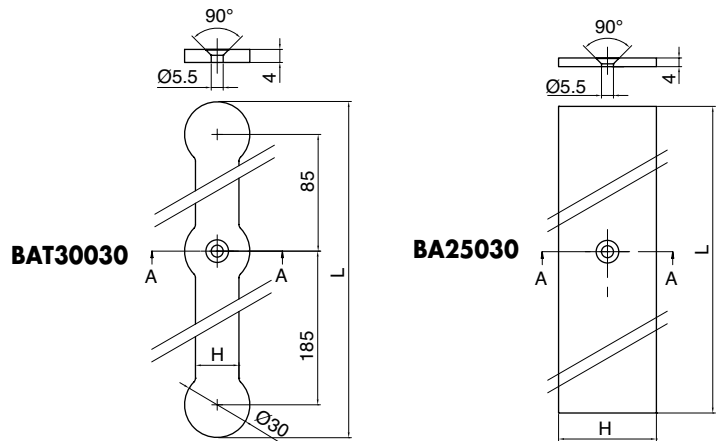
Finish: brushed steel



BAT30030



BA25030



Art. **Description**
BAT30030 Shaped bases for cylindrical clamp with countersunk hole for M5 screw

BA25030 Support base for clamp 250x30x4 with countersunk hole for M5 screw

Dimensions
L 300 - H 30 - S 4 - Ø5.5

L 250 - H 30 - S 4 - Ø5.5

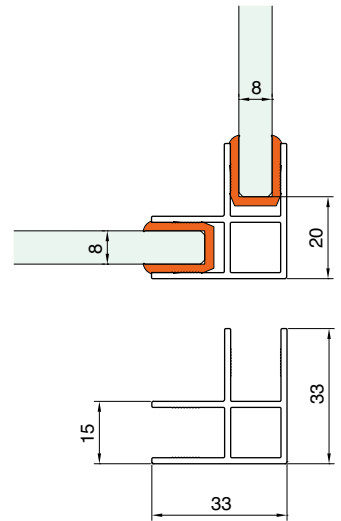
Q.ty
1 Pc

1 Pc



SPD15 SERIES CORNER PROFILE

Material: aluminium (alloy 6463)
 Features: kits consisting of an aluminium profile for inserting two glass panes at 90° and two gaskets for 8 or 10 mm glass, h 2100 mm
 Finish: polished aluminium, **matt black**

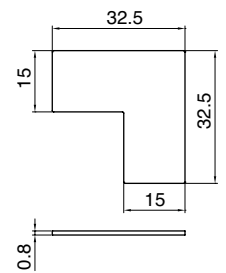


Art.	For glass	Q.ty
SPD153308	8 mm	1 Set



SPD END CAP

Material: aluminum alloy
 Features: end cap for SPD153308 profile
 Finish: polished aluminum, **matt black**

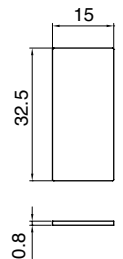


Art.	Description	Dimensions	Q.ty
SPDTP	End cap for SPD153308 profile	32.5 x 32.5 mm - thick. 1 mm	1 Pc



PARTIAL END CAP

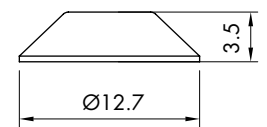
Material: aluminum alloy
 Features: partial end cap for SPD153308 profile to allow one of the two glasses to be extracted by the profile
 Finish: polished aluminum, **matt black**



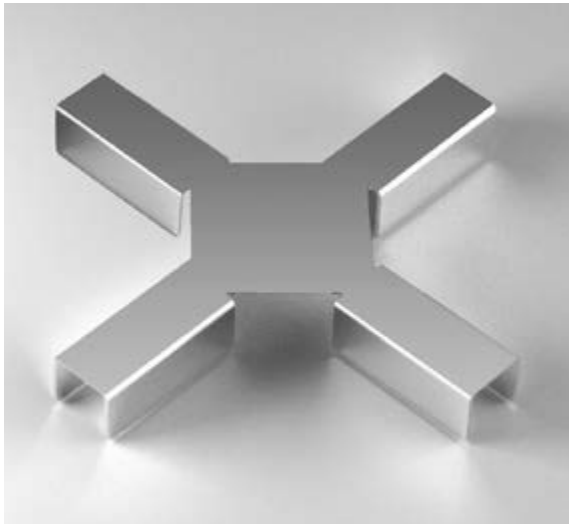
Art.	Description	Dimensions	Q.ty
SPDTP2	Partial end cap for SPD153308 profile	32.5 x 15 mm - thick. 1 mm	1 Pc



HALF ROUND - Ø12.7 - h 3.5 mm

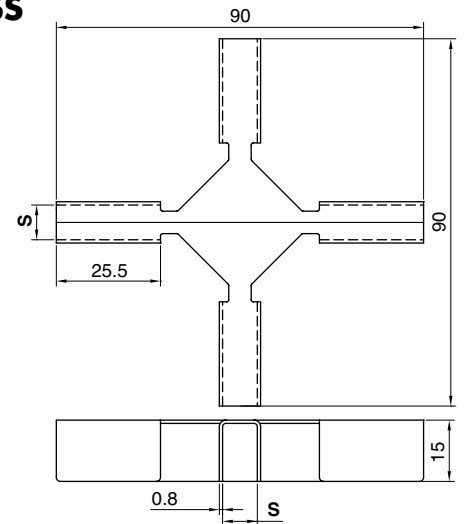


Art.	Dimensions	Thickness	Pcs per sheet	Hardness*	Q.ty
GOC003	Ø12.7 mm	3.5 mm	200	66-70 Shore A	1 Pc



4 WAYS JOINT FOR GLASS

Material: AISI 304 steel
 Features: 4 ways joint at 90° to align glasses
 Finish: polished steel, brushed steel, matt aluminium

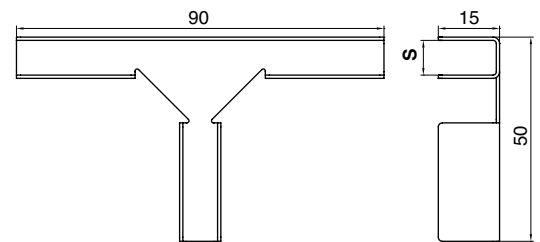


Art.	Description	Dimensions	Q.ty
GIUNTOX06	4 ways joint for 6mm glass thickness	90 x 90 x 15 mm - S = inner side 6.5 mm	1 Pc
GIUNTOX08	4 ways joint for 8mm glass thickness	90 x 90 x 15 mm - S = inner side 8.5 mm	1 Pc
GIUNTOX10	4 ways joint for 10mm glass thickness	90 x 90 x 15 mm - S = inner side 10.5 mm	1 Pc



T JOINT FOR GLASS

Material: AISI 304 stainless steel
 Features: T joint to align glasses
 Finish: polished steel, brushed steel, matt aluminium

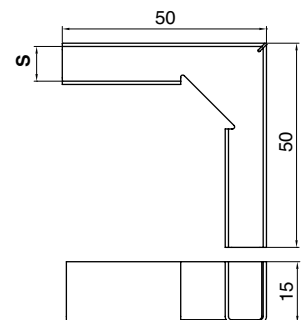


Art.	Description	Dimensions	Q.ty
GIUNTOT06	T joint for 6mm glass	90 x 50 x 15 mm - S = inner side 6.5 mm	1 Pc
GIUNTOT08	T joint for 8mm glass	90 x 50 x 15 mm - S = inner side 8.5 mm	1 Pc
GIUNTOT10	T joint for 10mm glass	90 x 50 x 15 mm - S = inner side 10.5 mm	1 Pc

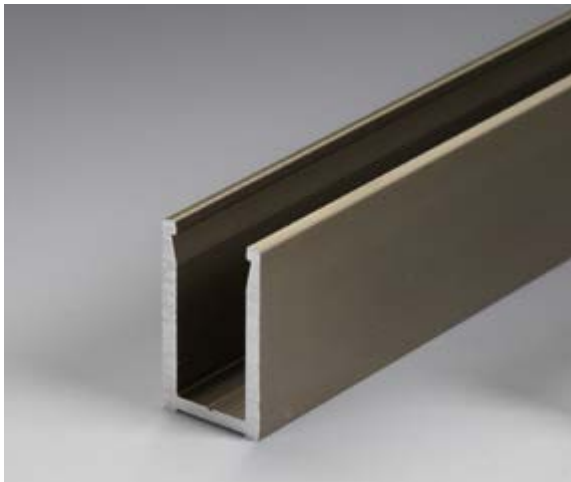


CORNER JOINT FOR GLASS

Material: AISI 304 stainless steel
 Features: corner joint to align glasses
 Finish: polished steel, brushed steel, matt aluminium



Art.	Description	Dimensions	Q.ty
GIUNTOA06	Corner joint for 6mm glass	50 x 50 x 15 mm - S = inner side 6.5 mm	1 Pc
GIUNTOA08	Corner joint for 8mm glass	50 x 50 x 15 mm - S = inner side 8.5 mm	1 Pc
GIUNTOA10	Corner joint for 10mm glass	50 x 50 x 15 mm - S = inner side 10.5 mm	1 Pc



PROALUX

Material: extruded aluminium

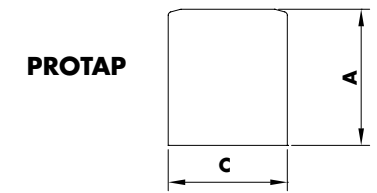
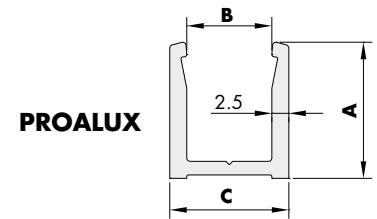
Features: 3000 mm long aluminium profiles with rounded edges, gasket seat and guide line to simplify drilling.

Finish: matt aluminium, brushed stainless steel effect aluminium, polished aluminium, other finishes on demand

Minimum package 5 pcs also mixed

U-section profile caps

PROTAP



Art.	Dimensions				Q.ty
PROALUX1530	A 30	B 10.5	C 15.5	L 3000 mm	1 Pc
PROALUX1730	A 30	B 12.5	C 17.5	L 3000 mm	1 Pc
PROTAP1530	A 30	C 15.5	U-section profile caps		1 Pc
PROTAP1730	A 30	C 17.5	U-section profile caps		1 Pc



PROALUX GASKET PROFILE

Material: Co-extruded PVC

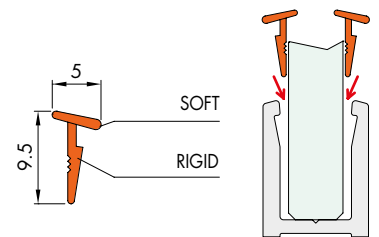
Features: gasket to be installed in the appropriate seats after the positioning of the glass.

We recommend using roller art. UTR65

Finish: transparent

ROLLER TOOL

UTR65



Application example

Art.	Description	Q.ty
PROALUXG	Gasket 5 x 9.5 mm for PROALUX	1 m
PROALUXG400	Gasket 5 x 9.5 mm for PROALUX - 400 m ROLL	1 Set
UTR65	Tool with plastic roller, diameter 65mm	1 Pc



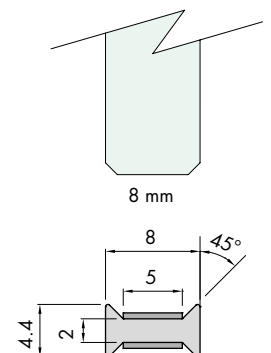
POLYCARBONATE 2-WAY PROFILES IN LINE WITH ACXPLUS TESA 8 x 4.4 mm

Material: polycarbonate

Features: polycarbonate profiles with 3000 mm Tesa ACXplus adhesives for joining in line panes.

Colour: transparent

Minimum package 5 pcs also mixed

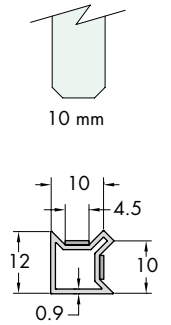
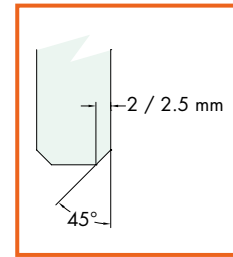


Art.	Dimensions	Applications	Q.ty
PH50508	8 x 4.4 mm adhesive thickness 0.5 mm	For glass thickness 8 mm	1 Pc



POLYCARBONATE 90° PROFILES WITH VHB

Material: polycarbonate
 Features: polycarbonate profiles with 3000 mm long VHB adhesives for joining 90° panes.
 Profile supplied with 3M adhesive applied on both sides.
 Colour: transparent
Minimum package
5 pcs also mixed

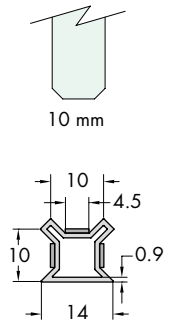
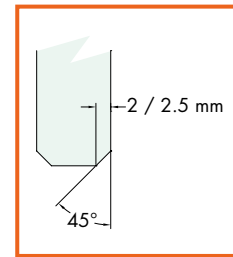


Art.	Dimensions	Applications	Q.ty
PH2819	12 x 12 mm	For glass thickness 10 mm	1 Pc



POLYCARBONATE 3-WAY PROFILES WITH VHB

Material: polycarbonate
 Features: polycarbonate profiles with 3000 mm long VHB adhesives for joining in line and 90° panes.
 Profile supplied with 3M adhesive applied on both sides.
 Colour: transparent
Minimum package
5 pcs also mixed

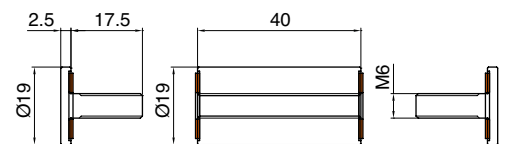


Art.	Dimensions	Applications	Q.ty
PH2826	10 x 14 mm	For glass thickness 10 mm	1 Pc



DOUBLE SPACER Ø19 x 40 mm

Material: Steel
 Finish: CNC steel



Art.	Description	Q.ty
DIST007	Double spacer Ø19 x 40 mm with screws	1 Pc

The images and information contained in this catalogue are to be considered indicative and may be subject to variations without prior notice



LOGLI MASSIMO SpA
Via Chemnitz, 49/51
59100 Prato - Italia
Tel. +39.0574.701035
Fax +39.0574.527574
www.loglimassimo.it
export@loglimassimo.it
info.lm@saint-gobain.com



SPONSOR



ASSOCIATED PARTNERS

