



# MECCANOGLASS

GLASS PROTECTIVE BARRIERS

# MECCANOGLASS

## FEATURES:

MeccanoGlass is a modular system studied to create partitions, barriers, desk panels or any other idea to effectively organise the working table.

The system allows to install 6-6.76 mm thick plates made of either glass or other material.

The simple connection between aluminium upright profiles and cross-beams is established without creating holes or notches on system components: plates and profiles only need linear cuts to be assembled.

The protective barrier kits proposed in the following pages are only some of the possible solutions offered by this construction system.

## GLASS: Features and Details



**TRANSPARENT**, it creates a safe yet invisible barrier



**STABLE** with its specific weight (2.5 kg/m<sup>3</sup>), which enhances the stability of both breath protection barriers placed on countertops, writing desks, etc. and large protective glass curtain walls for offices, airports, etc.



**SCRATCH RESISTANT** with normal glass cleaning tools;



**EASY TO CLEAN**, with all detergent types, both classical and with highly recommended products for surface sanitisation, which contain alcohol or bleach;



**DOES NOT YELLOW**, even if frequently cleaned



**100% RECYCLABLE**, it is, therefore, a sustainable material (EPD - Environmental Product Declaration);



**FIRE-RESISTANT**, does not burn in case of a fire and does not release VOC (volatile organic compounds);



**TIMELESS ELEGANCE AND SOPHISTICATION**

  
Made in Italy

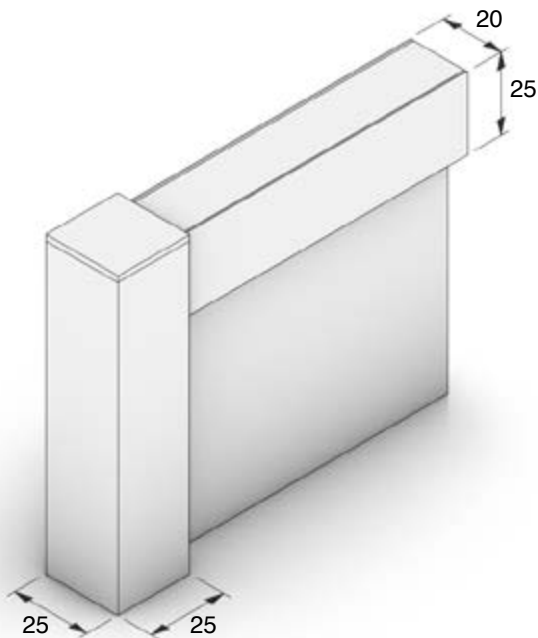


# MECCANOGLASS

## FUNCTIONAL FEATURES:

### FRAMED GLASS

- ✓ Fully framed plates
- ✓ The hardening process is not required for laminated glass
- ✓ Linear cuts without holes or notches



### FRAME

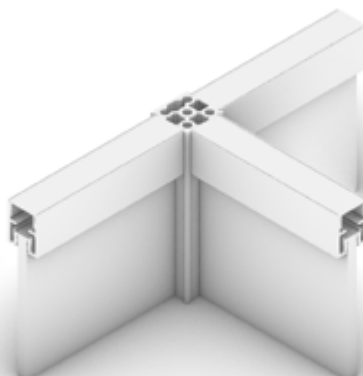
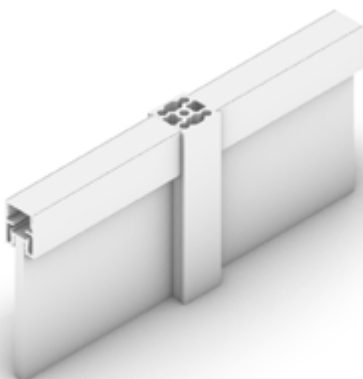
- ✓ Small modules (25x25mm)
- ✓ No visible mechanical element
- ✓ Excellent aesthetic features
- ✓ All profiles are made of anodised aluminium **10 micron**



**QUALITAL**

### MULTICHANNEL UPRIGHT PROFILES

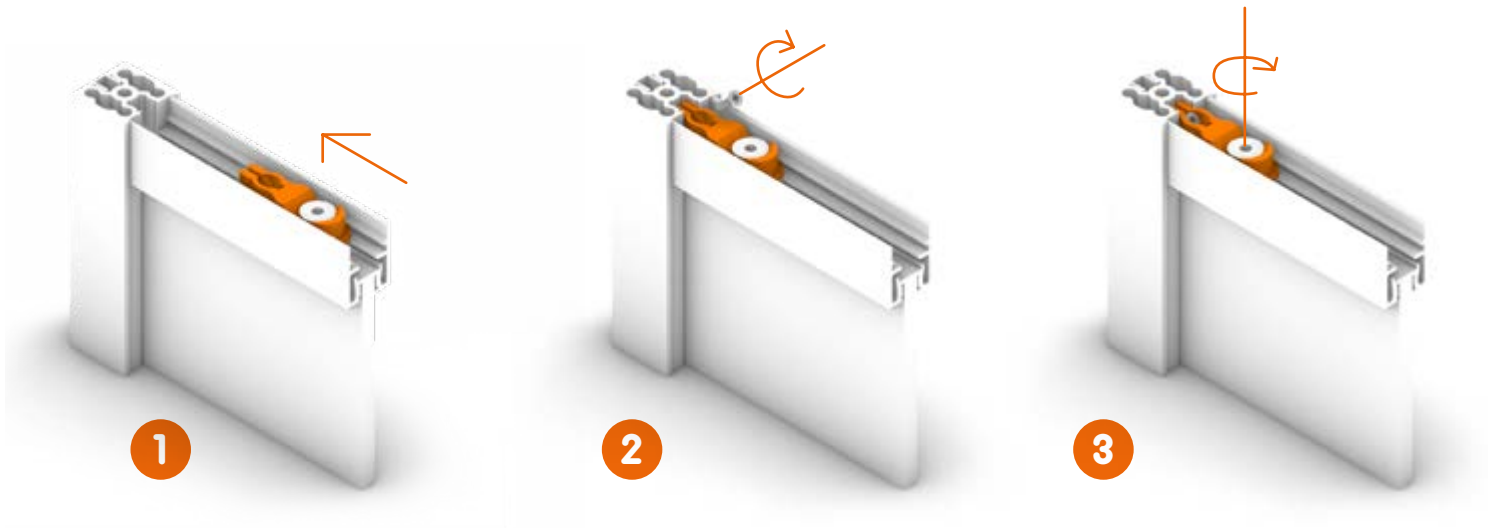
- ✓ Compositional flexibility
- ✓ Structural stiffening
- ✓ Connection with other parts of the system



## EASYCLIP CROSS-BEAM

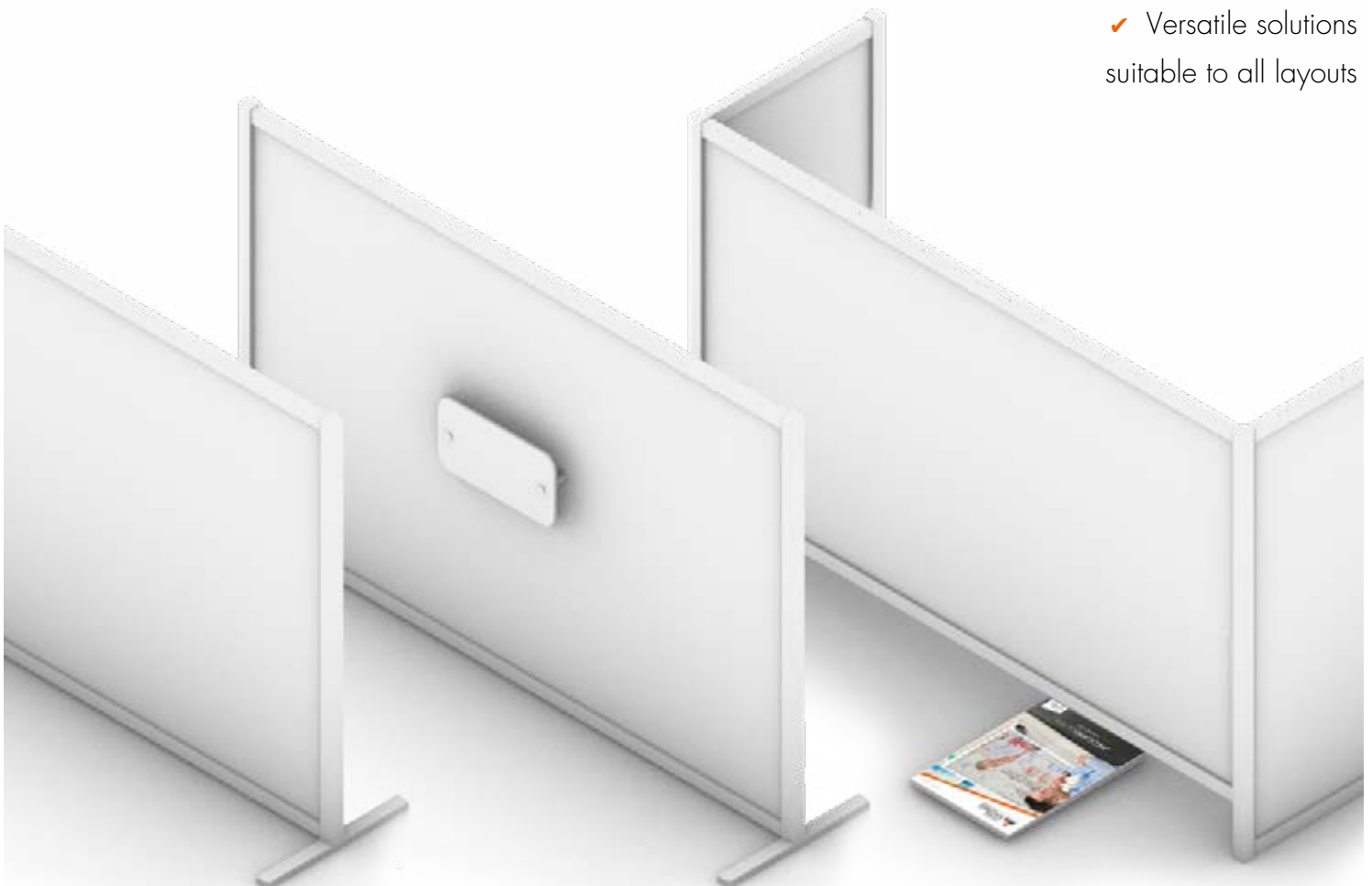
**PATENT PENDING**

- ✓ Quick and easy to joint
- ✓ Concealed
- ✓ Without holes



## DOCUMENT SLOT AND SPEAK-THRU GLASS

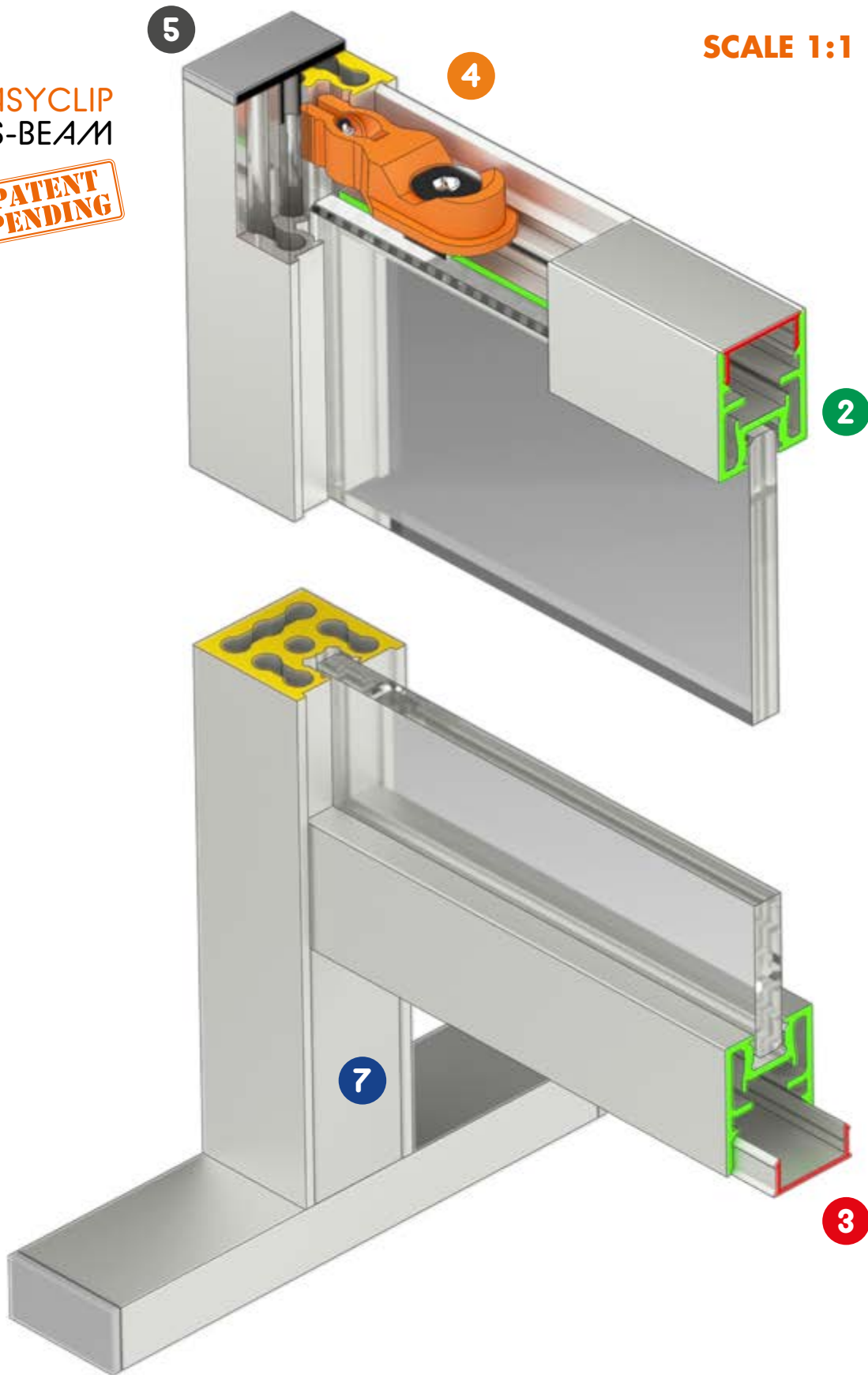
- ✓ Versatile solutions suitable to all layouts



EASYCLIP  
CROSS-BEAM

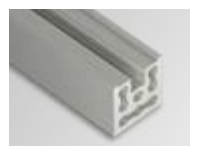
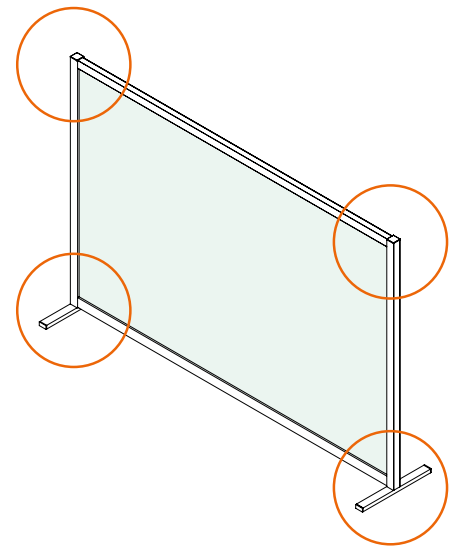
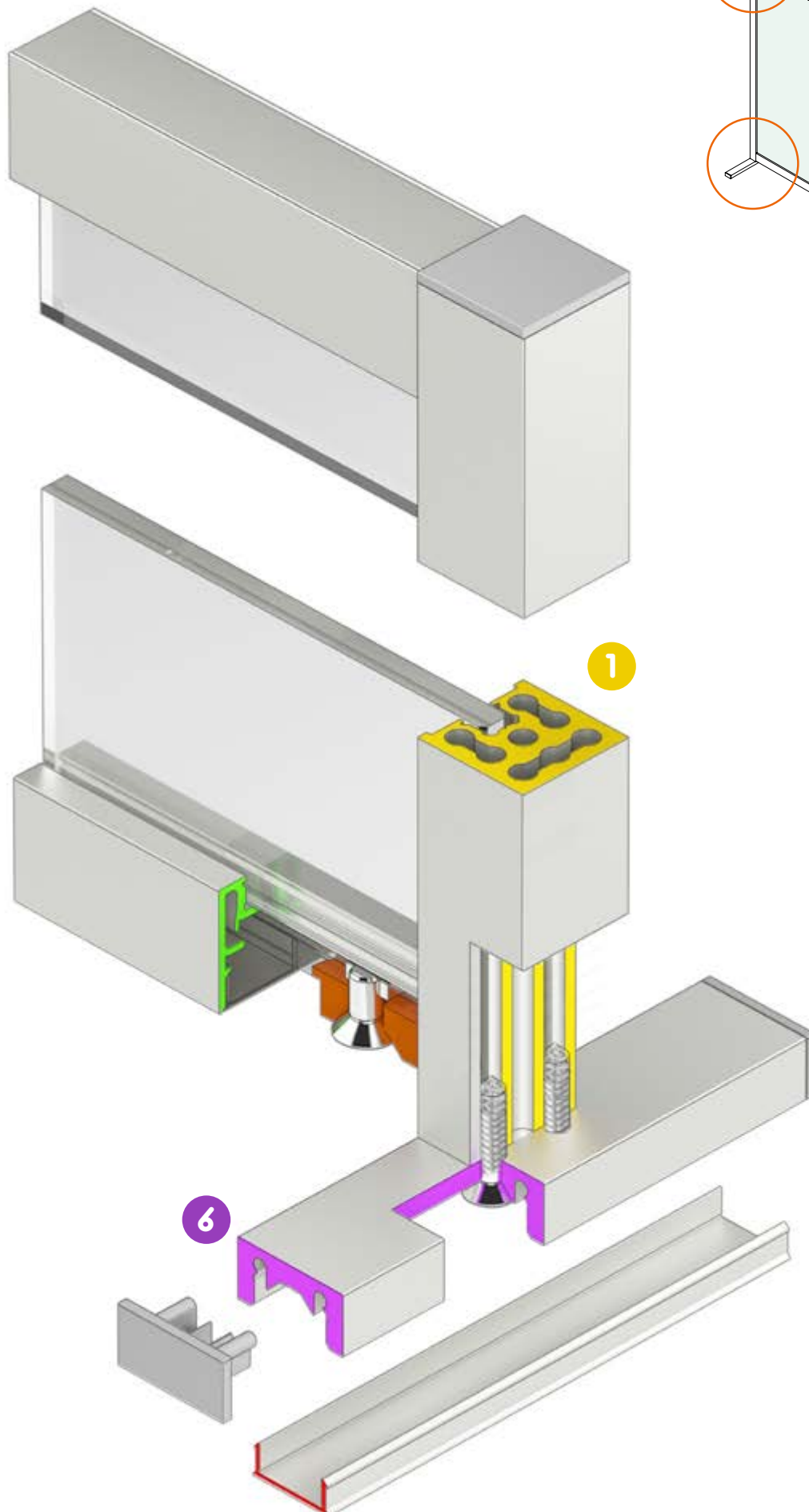
PATENT  
PENDING

SCALE 1:1



MECCANOGLASS

CONSTRUCTION DETAILS



MEM251V - 1



MET251V - 2



MECST01 - 3



MECSF01 - 4



METAP250 - 5



MEBDA25 - 6



MEDOC10 - 7

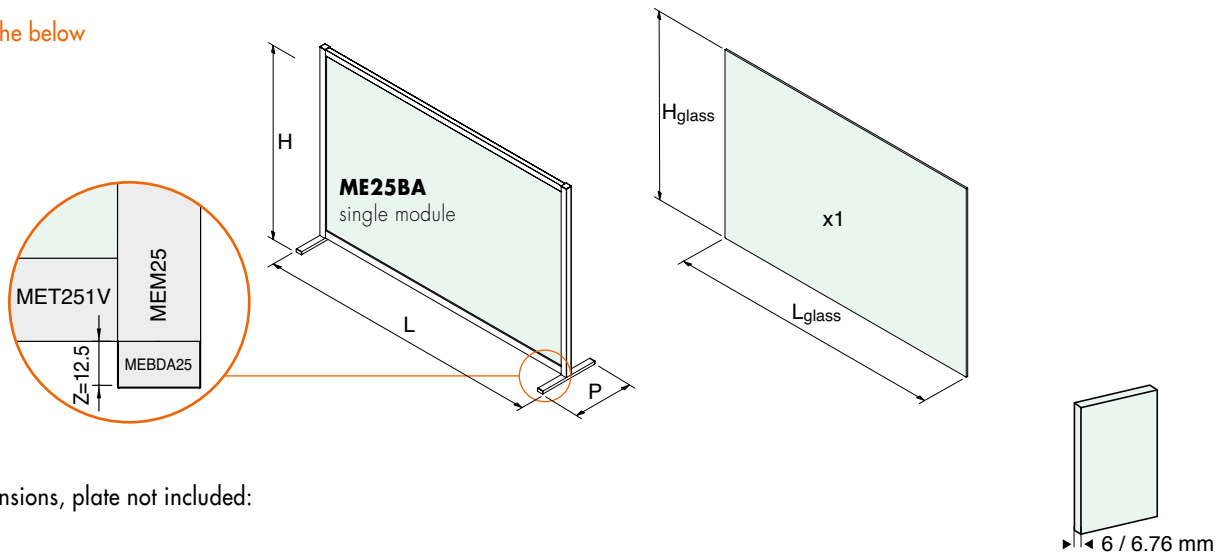


## ME25BA KIT - SINGLE PROTECTIVE BARRIER WITH BASE

Features: single protective barrier kit for 6 - 6.76 mm plates

Finish: matt aluminium, matt black

Kit supplied according to the below suggested measure

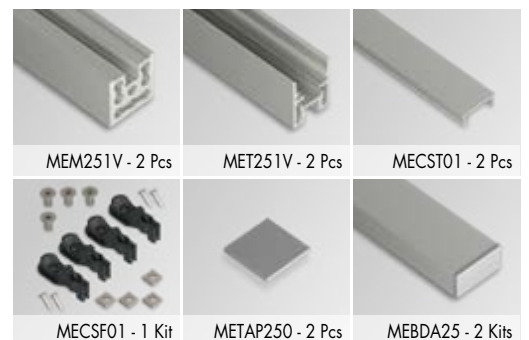


Recommended plate dimensions, plate not included:

$L_{\text{glass}} = L - 37 \text{ mm}$

$H_{\text{glass}} = H - 56 \text{ mm}$

Art.	L	H	P	L <sub>glass</sub>	H <sub>glass</sub>	Q.ty
ME25BA1210	1200	1000	300	1163	944	1 kit
ME25BA1209	1200	900	300	1163	844	1 kit
ME25BA1207	1200	750	250	1163	694	1 kit
ME25BA1206	1200	600	200	1163	544	1 kit
ME25BA1009	1000	900	300	963	844	1 kit
ME25BA1007	1000	750	250	963	694	1 kit
ME25BA1006	1000	600	200	963	544	1 kit
ME25BA0807	800	750	250	763	694	1 kit
ME25BA0806	800	600	200	763	544	1 kit



### OPTIONAL

Art.	Description	Q.ty
MEDOC10	Set of 2 finishing profiles for document slot Z=100 mm	1 Kit
DIST009	Spacer for speak-thru, tempered glass required	1 Pc





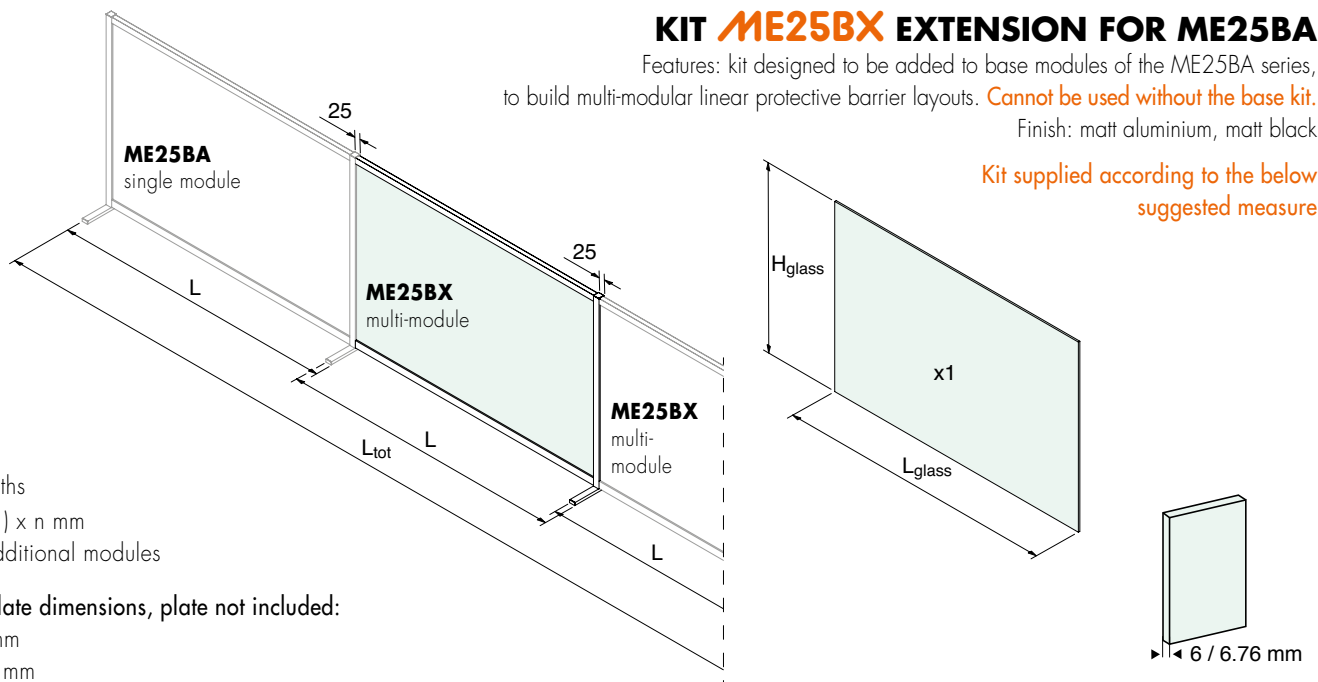


## KIT ME25BX EXTENSION FOR ME25BA

Features: kit designed to be added to base modules of the ME25BA series, to build multi-modular linear protective barrier layouts. **Cannot be used without the base kit.**

Finish: matt aluminium, matt black

Kit supplied according to the below suggested measure



### Dimensions:

Multi-module widths

$$L_{tot} = L + (L - 25) \times n$$

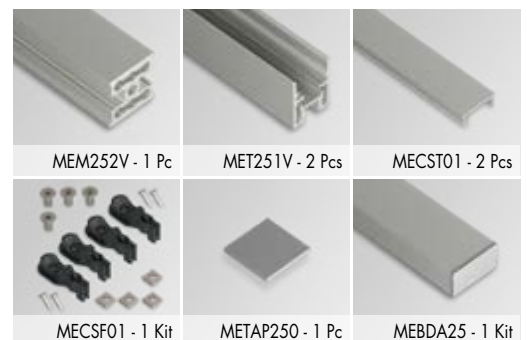
n = number of additional modules

Recommended plate dimensions, plate not included:

$$L_{glass} = L - 37 \text{ mm}$$

$$H_{glass} = H - 56 \text{ mm}$$

Art.	L	H	P	L <sub>glass</sub>	H <sub>glass</sub>	Q.ty
ME25BX1210	1200	1000	300	1163	944	1 kit
ME25BX1209	1200	900	300	1163	844	1 kit
ME25BX1207	1200	750	250	1163	694	1 kit
ME25BX1206	1200	600	200	1163	544	1 kit
ME25BX1009	1000	900	300	963	844	1 kit
ME25BX1007	1000	750	250	963	694	1 kit
ME25BX1006	1000	600	200	963	544	1 kit
ME25BX0807	800	750	250	763	694	1 kit
ME25BX0806	800	600	200	763	544	1 kit



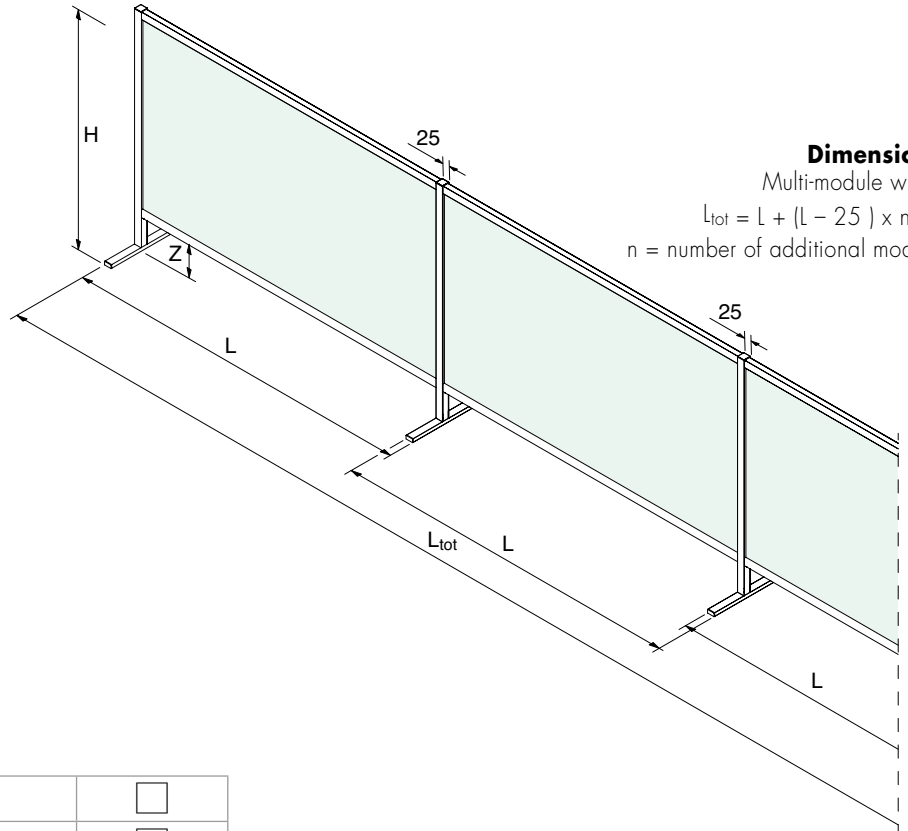
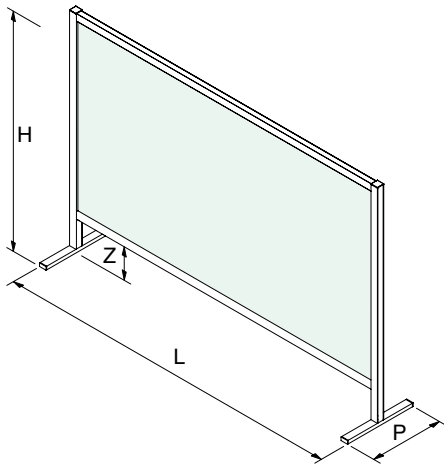
### OPTIONAL

Art.	Description	Q.ty
MEDOC10	Set of 2 finishing profiles for document slot Z=100 mm	1 Kit
DIST009	Spacer for speak-thru, tempered glass required	1 Pc

### OPTIONAL



## CUSTOM KIT CUSTOM DESIGN REQUEST FORM



**Dimensions:**  
Multi-module widths  
 $L_{tot} = L + (L - 25) \times n$  mm  
n = number of additional modules

### PHASE 1 LAYOUT

SINGLE MODULE	<input type="checkbox"/>
MULTI-MODULE LINEAR LAYOUT	<input type="checkbox"/>

### PHASE 2 DIMENSIONS

		[mm]
WIDTH	<b>L</b>	
HEIGHT*	<b>H</b>	
DEPTH**	<b>P</b>	
DOCUMENT SLOT HEIGHT	<b>Z</b>	
		[Q.ty]
NUMBER OF MODULES (ONLY FOR LINEAR LAYOUT)		

### PHASE 3 FINISH

/97 MATT ALUMINIUM	<input type="checkbox"/>
/6 MATT BLACK	<input type="checkbox"/>

\*recommended max. 1000mm

\*\*recommended min. H/3

### PHASE 4 QUANTITY

	[Q.ty]
KIT NO.	

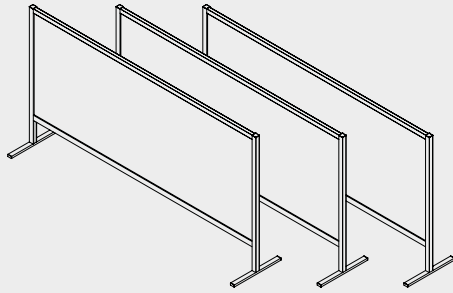
Note: reserved for the Technical Department verify feasibility

Date ..... / ..... / ..... - Client .....

**LOGLI MASSIMO S.p.A.**  
**Fax.** +39 0574 527574  
**e-mail:** export@loglimassimo.it

## FORM COMPLETION SIMULATION

### SIMULATION 1



#### PHASE 1 LAYOUT

SINGLE MODULE	<input checked="" type="checkbox"/>
MULTI-MODULE LINEAR LAYOUT	<input type="checkbox"/>

#### PHASE 2 DIMENSIONS

		[mm]
WIDTH	<b>L</b>	1600
HEIGHT*	<b>H</b>	870
DEPTH**	<b>P</b>	300
DOCUMENT SLOT HEIGHT	<b>Z</b>	150
		<b>[Q.ty]</b>
NUMBER OF MODULES (ONLY FOR LINEAR LAYOUT)		

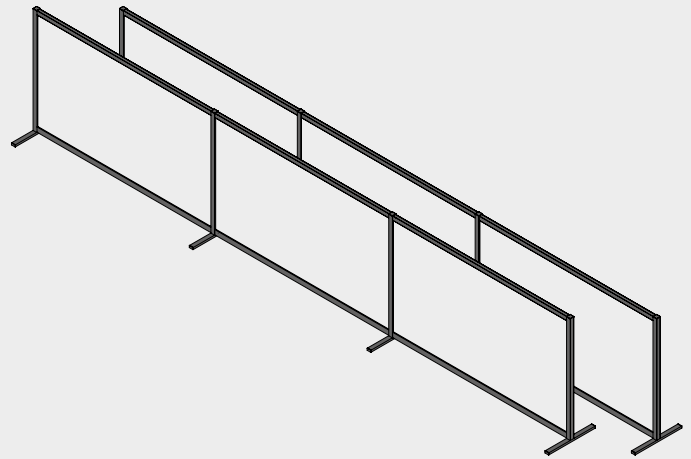
#### PHASE 3 FINISH

/97 MATT ALUMINIUM	<input checked="" type="checkbox"/>
/6 MATT BLACK	<input type="checkbox"/>

#### PHASE 4 QUANTITY

	[Q.ty]
KIT NO.	3

### SIMULATION 2



#### PHASE 1 LAYOUT

SINGLE MODULE	<input type="checkbox"/>
MULTI-MODULE LINEAR LAYOUT	<input checked="" type="checkbox"/>

#### PHASE 2 DIMENSIONS

		[mm]
WIDTH	<b>L</b>	1300
HEIGHT*	<b>H</b>	780
DEPTH**	<b>P</b>	300
DOCUMENT SLOT HEIGHT	<b>Z</b>	0
		<b>[Q.ty]</b>
NUMBER OF MODULES (ONLY FOR LINEAR LAYOUT)		3

#### PHASE 3 FINISH

/97 MATT ALUMINIUM	<input type="checkbox"/>
/6 MATT BLACK	<input checked="" type="checkbox"/>

#### PHASE 4 QUANTITY

	[Q.ty]
KIT NO.	2

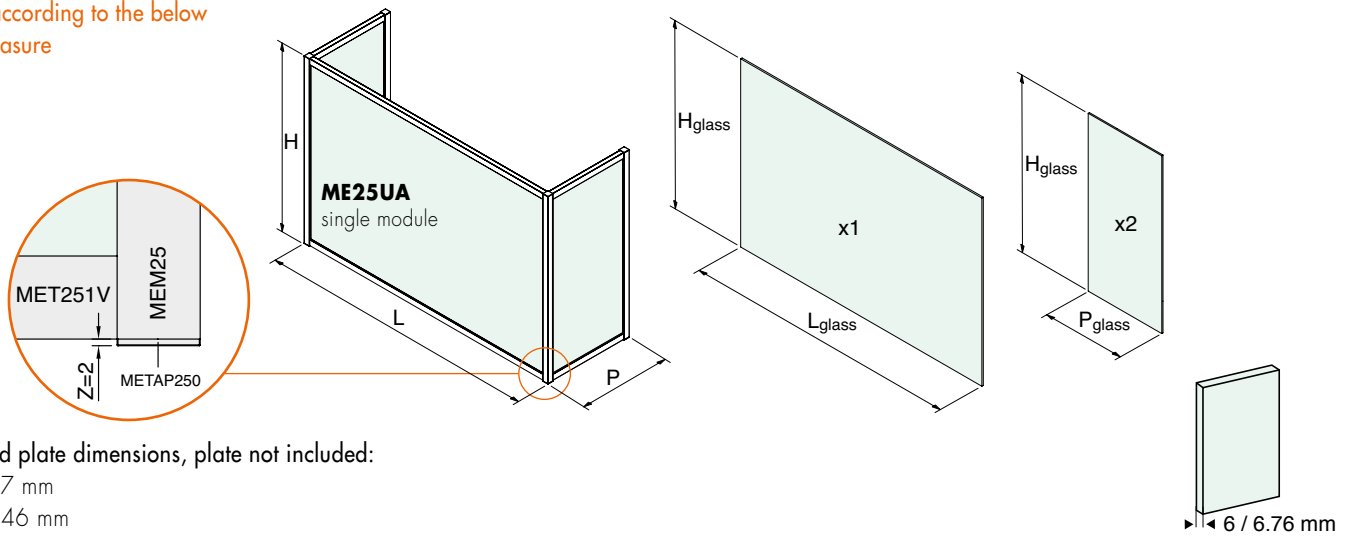


## ME25UA KIT - SINGLE PROTECTIVE BARRIER WITH LATERAL GLASS-FIN

Features: single protective barrier kit with lateral glass-fin for 6 - 6.76 mm plates

Finish: matt aluminium, matt black

Kit supplied according to the below suggested measure



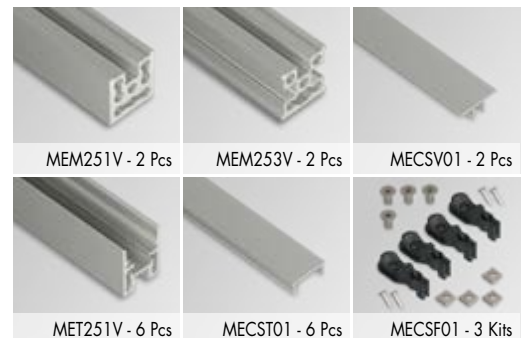
Recommended plate dimensions, plate not included:

$L_{glass} = L - 37 \text{ mm}$

$H_{glass} = H - 46 \text{ mm}$

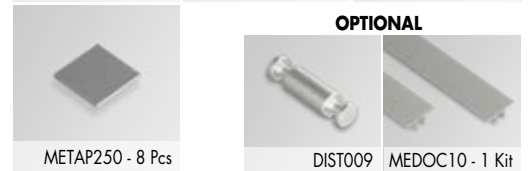
$P_{glass} = P - 37 \text{ mm}$

Art.	L	H	P	L <sub>glass</sub>	H <sub>glass</sub>	P <sub>glass</sub>	Q.ty
ME25UA1210	1200	1000	400	1163	954	363	1 kit
ME25UA1209	1200	900	400	1163	854	363	1 kit
ME25UA1207	1200	750	300	1163	704	263	1 kit
ME25UA1206	1200	600	300	1163	554	263	1 kit
ME25UA1009	1000	900	400	963	854	363	1 kit
ME25UA1007	1000	750	300	963	704	263	1 kit
ME25UA1006	1000	600	300	963	554	263	1 kit
ME25UA0807	800	750	300	763	704	263	1 kit
ME25UA0806	800	600	300	763	554	263	1 kit



### OPTIONAL

Art.	Description	Q.ty
MEDOC10	Set of 2 finishing profiles for document slot Z=100 mm	1 Kit
DIST009	Spacer for speak-thru, tempered glass required	1 Pc



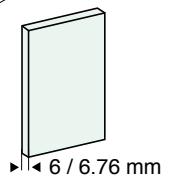
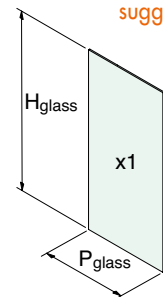
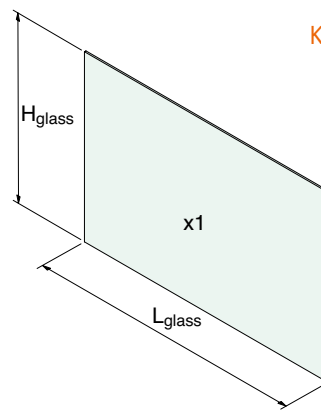
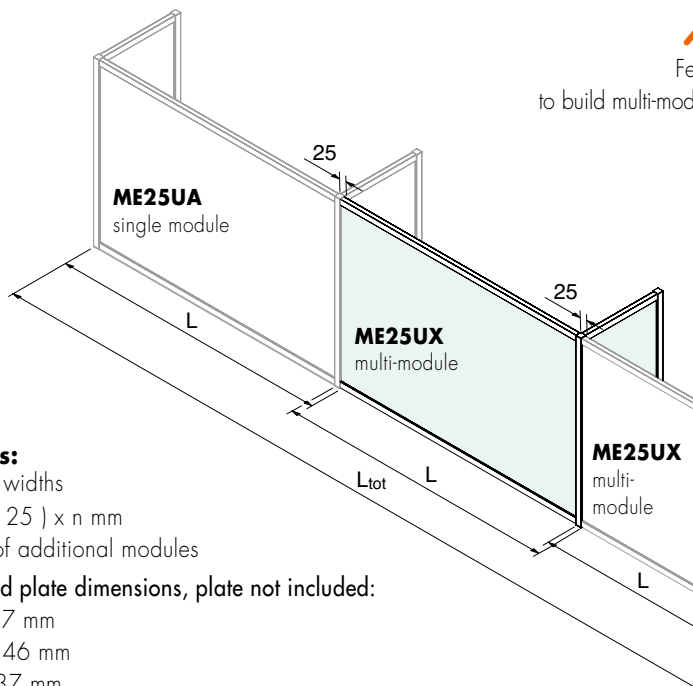


## ME25UX KIT EXTENSION FOR ME25UA

Features: kit designed to be added to base modules of the ME25UA series, to build multi-modular linear protective barrier layouts. **Cannot be used without the base kit.**

Finish: matt aluminium, matt black

Kit supplied according to the below suggested measure



### Dimensions:

Multi-module widths

$$L_{tot} = L + (L - 25) \times n$$

n = number of additional modules

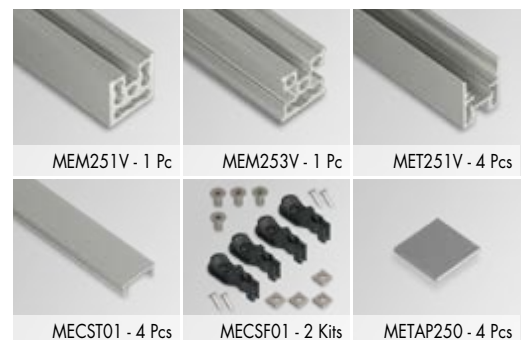
Recommended plate dimensions, plate not included:

$$L_{glass} = L - 37 \text{ mm}$$

$$H_{glass} = H - 46 \text{ mm}$$

$$P_{glass} = P - 37 \text{ mm}$$

Art.	L	H	P	L <sub>glass</sub>	H <sub>glass</sub>	P <sub>glass</sub>	Q.ty
ME25UX1210	1200	1000	400	1163	954	363	1 kit
ME25UX1209	1200	900	400	1163	854	363	1 kit
ME25UX1207	1200	750	300	1163	704	263	1 kit
ME25UX1206	1200	600	300	1163	554	263	1 kit
ME25UX1009	1000	900	400	963	854	363	1 kit
ME25UX1007	1000	750	300	963	704	263	1 kit
ME25UX1006	1000	600	300	963	554	263	1 kit
ME25UX0807	800	750	300	763	704	263	1 kit
ME25UX0806	800	600	300	763	554	263	1 kit



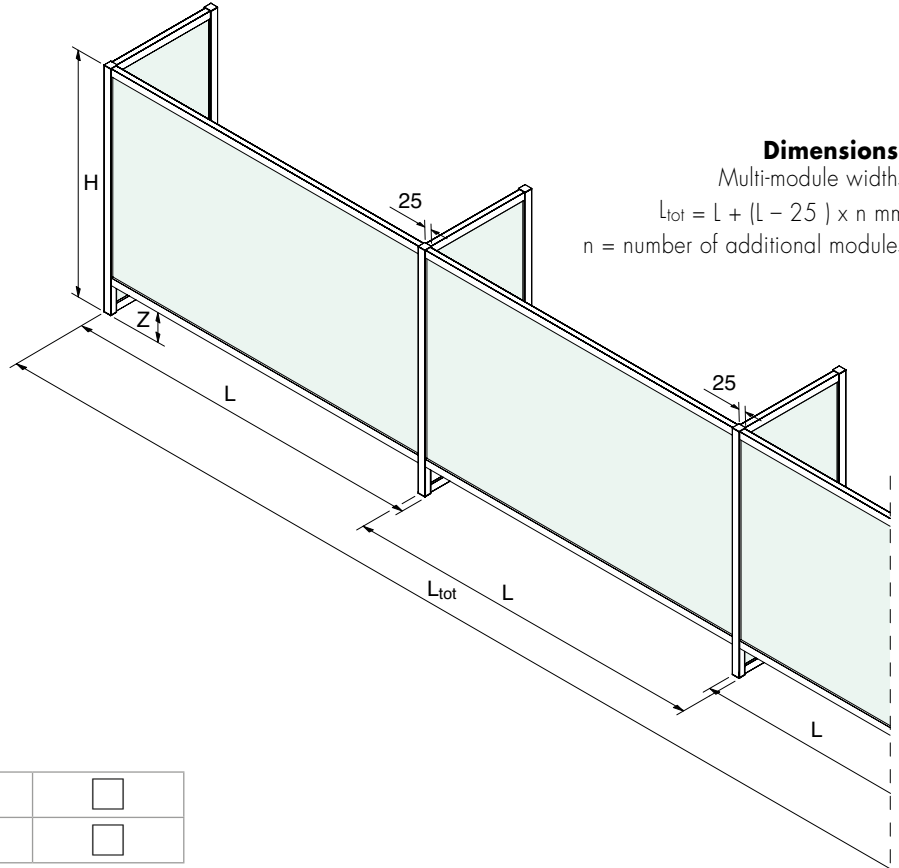
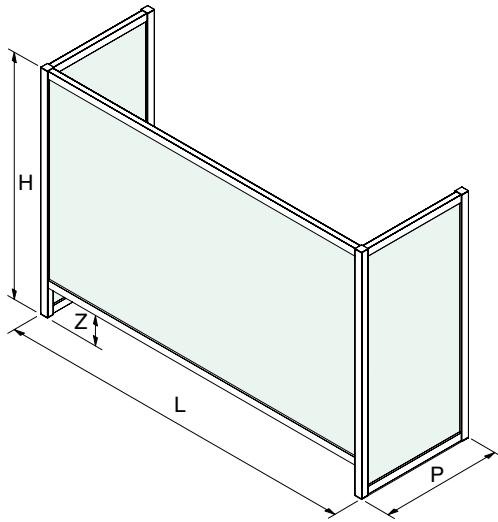
### OPTIONAL

Art.	Description	Q.ty
MEDOC10	Set of 2 finishing profiles for document slot Z=100 mm	1 Kit
DIST009	Spacer for speak-thru, tempered glass required	1 Pc

### OPTIONAL



## KIT **CUSTOM** CUSTOM DESIGN REQUEST FORM



**Dimensions:**  
Multi-module widths  
 $L_{tot} = L + (L - 25) \times n$  mm  
n = number of additional modules

### PHASE 1 LAYOUT

SINGLE MODULE	<input type="checkbox"/>
MULTI-MODULE LINEAR LAYOUT	<input type="checkbox"/>

### PHASE 2 DIMENSIONS

		[mm]
WIDTH	<b>L</b>	
HEIGHT*	<b>H</b>	
BASE DEPTH**	<b>P</b>	
DOCUMENT SLOT HEIGHT	<b>Z</b>	
		[Q.ty]
NUMBER OF MODULES (ONLY FOR LINEAR LAYOUT)		

### PHASE 3 FINISH

/97 MATT ALUMINIUM	<input type="checkbox"/>
/6 MATT BLACK	<input type="checkbox"/>

\*recommended max. 1200mm

\*\*recommended min. H/3

### PHASE 4 QUANTITY

	[Q.ty]
KIT NO.	

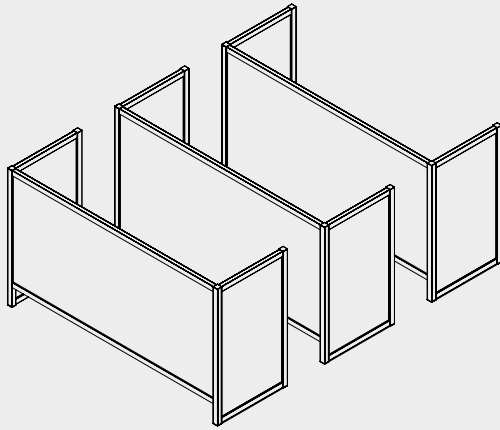
Note: reserved for the Technical Department verify feasibility

Date ..... / ..... / ..... - Client .....

**LOGLI MASSIMO S.p.A.**  
**Fax.** +39 0574 527574  
**e-mail:** export@loglimassimo.it

## FORM COMPLETION SIMULATION

### SIMULATION 1



#### PHASE 1 LAYOUT

SINGLE MODULE	<input checked="" type="checkbox"/>
MULTI-MODULE LINEAR LAYOUT	<input type="checkbox"/>

#### PHASE 2 DIMENSIONS

		[mm]
WIDTH	<b>L</b>	1600
HEIGHT*	<b>H</b>	870
BASE DEPTH**	<b>P</b>	300
DOCUMENT SLOT HEIGHT	<b>Z</b>	150
		[Q.ty]
NUMBER OF MODULES (ONLY FOR LINEAR LAYOUT)		

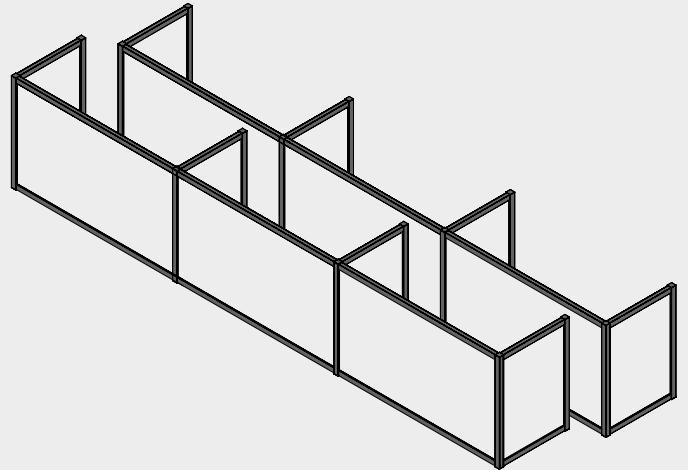
#### PHASE 3 FINISH

/97 MATT ALUMINIUM	<input checked="" type="checkbox"/>
/6 MATT BLACK	<input type="checkbox"/>

#### PHASE 4 QUANTITY

	[Q.ty]
KIT NO.	3

### SIMULATION 2



#### PHASE 1 LAYOUT

SINGLE MODULE	<input type="checkbox"/>
MULTI-MODULE LINEAR LAYOUT	<input checked="" type="checkbox"/>

#### PHASE 2 DIMENSIONS

		[mm]
WIDTH	<b>L</b>	1300
HEIGHT*	<b>H</b>	780
BASE DEPTH**	<b>P</b>	300
DOCUMENT SLOT HEIGHT	<b>Z</b>	0
		[Q.ty]
NUMBER OF MODULES (ONLY FOR LINEAR LAYOUT)		3

#### PHASE 3 FINISH

/97 MATT ALUMINIUM	<input type="checkbox"/>
/6 MATT BLACK	<input checked="" type="checkbox"/>

#### PHASE 4 QUANTITY

	[Q.ty]
KIT NO.	2

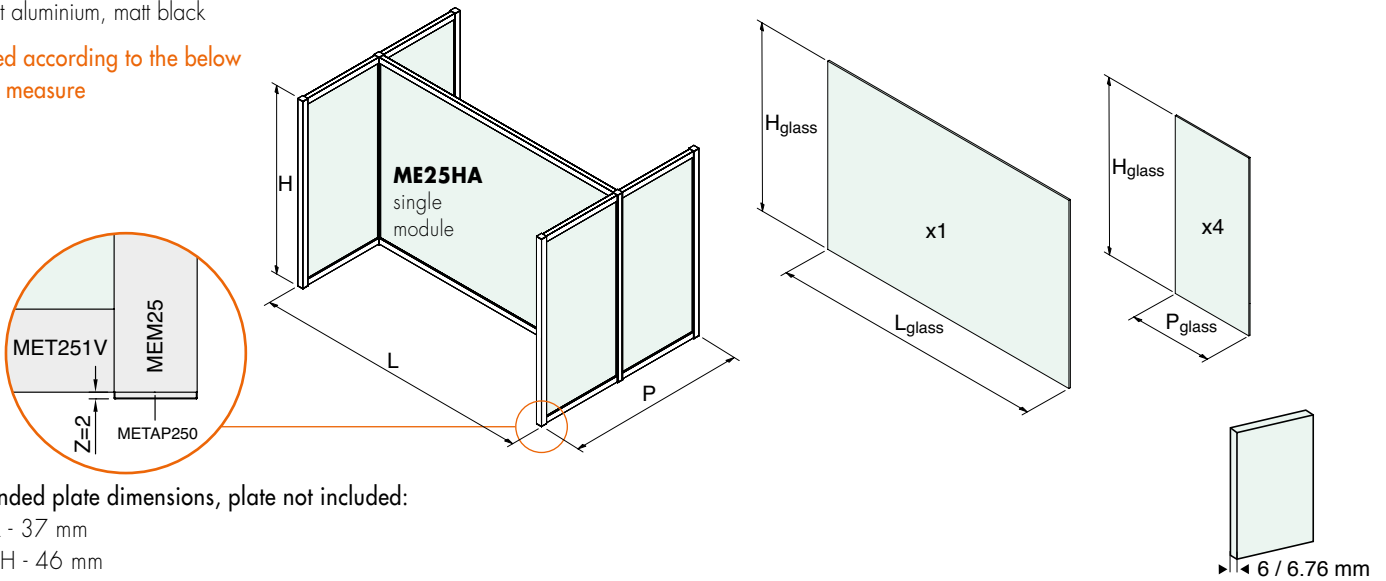


## ME25HA KIT - SINGLE PROTECTIVE BARRIER WITH DOUBLE LATERAL GLASS-FIN

Features: single protective barrier kit with double lateral glass-fin for 6 - 6.76 mm plates

Finish: matt aluminium, matt black

Kit supplied according to the below suggested measure



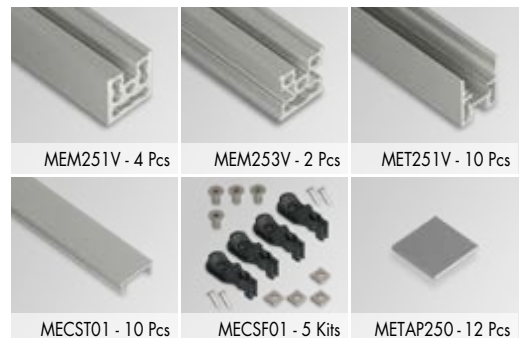
Recommended plate dimensions, plate not included:

$L_{\text{glass}} = L - 37 \text{ mm}$

$H_{\text{glass}} = H - 46 \text{ mm}$

$P_{\text{glass}} = (P + 25) / 2 - 37 \text{ mm}$

Art.	L	H	P	L <sub>glass</sub>	H <sub>glass</sub>	P <sub>glass</sub>	Q.ty
ME25HA1210	1200	1000	1200	1163	954	576	1 kit
ME25HA1209	1200	900	1200	1163	854	576	1 kit
ME25HA1207	1200	750	775	1163	704	363	1 kit
ME25HA1206	1200	600	775	1163	554	363	1 kit
ME25HA1009	1000	900	1200	963	854	576	1 kit
ME25HA1007	1000	750	775	963	704	363	1 kit
ME25HA1006	1000	600	1200	963	554	576	1 kit
ME25HA0807	800	750	775	763	704	363	1 kit
ME25HA0806	800	600	775	763	554	363	1 kit



### OPTIONAL

Art.	Description	Q.ty
MEDOC10	Set of 2 finishing profiles for document slot Z=100 mm	1 Kit
DIST009	Spacer for speak-thru, tempered glass required	1 Pc

### OPTIONAL





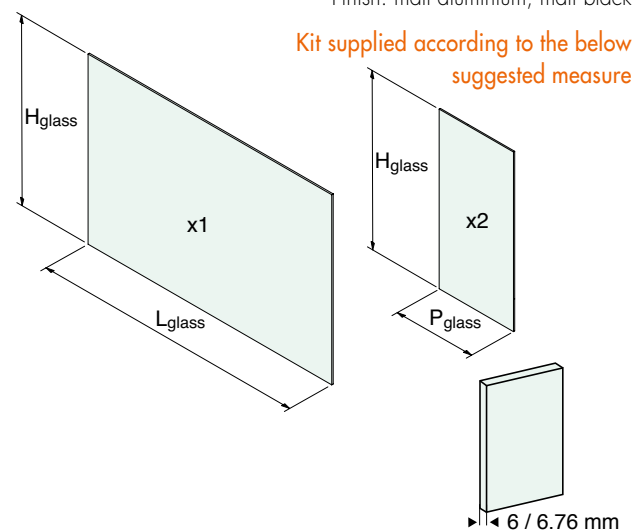
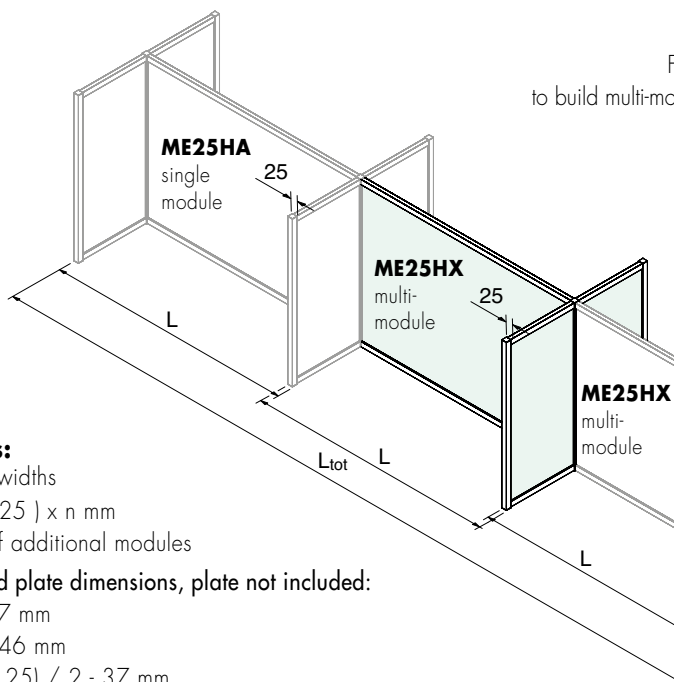


## ME25HX KIT EXTENSION FOR ME25HA

Features: kit designed to be added to base modules of the series ME25HA, to build multi-modular linear protective barrier layouts. **Cannot be used without the base kit.**

Finish: matt aluminium, matt black

Kit supplied according to the below suggested measure



### Dimensions:

Multi-module widths

$$L_{tot} = L + (L - 25) \times n \text{ mm}$$

n = number of additional modules

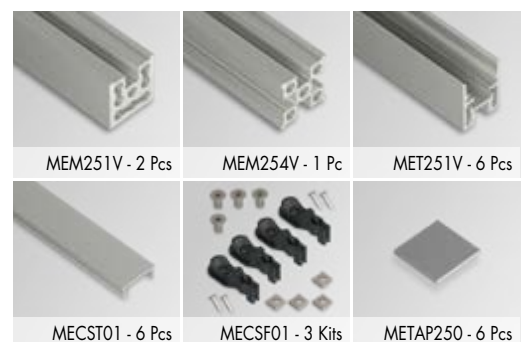
Recommended plate dimensions, plate not included:

$$L_{glass} = L - 37 \text{ mm}$$

$$H_{glass} = H - 46 \text{ mm}$$

$$P_{glass} = (P + 25) / 2 - 37 \text{ mm}$$

Art.	L	H	P	L <sub>glass</sub>	H <sub>glass</sub>	P <sub>glass</sub>	Q.ty
ME25HX1210	1200	1000	1200	1163	954	576	1 kit
ME25HX1209	1200	900	1200	1163	854	576	1 kit
ME25HX1207	1200	750	775	1163	704	363	1 kit
ME25HX1206	1200	600	775	1163	554	363	1 kit
ME25HX1009	1000	900	1200	963	854	576	1 kit
ME25HX1007	1000	750	775	963	704	363	1 kit
ME25HX1006	1000	600	1200	963	554	576	1 kit
ME25HX0807	800	750	775	763	704	363	1 kit
ME25HX0806	800	600	775	763	554	363	1 kit



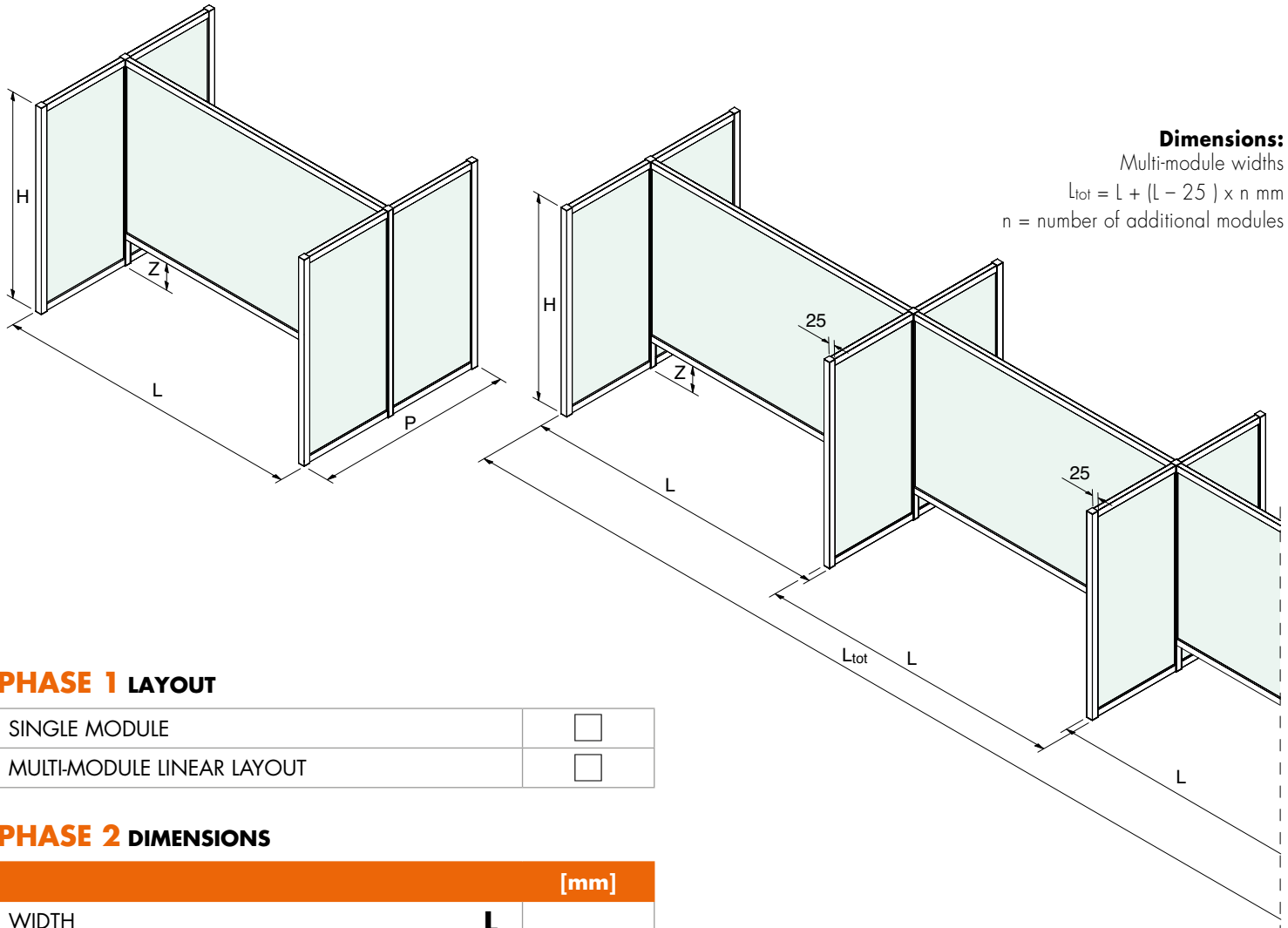
### OPTIONAL

Art.	Description	Q.ty
MEDOC10	Set of 2 finishing profiles for document slot Z=100 mm	1 Kit
DIST009	Spacer for speak-thru, tempered glass required	1 Pc

### OPTIONAL



## KIT **CUSTOM** CUSTOM DESIGN REQUEST FORM



**Dimensions:**

Multi-module widths

$$L_{tot} = L + (L - 25) \times n \text{ mm}$$

n = number of additional modules

### PHASE 1 LAYOUT

SINGLE MODULE	<input type="checkbox"/>
MULTI-MODULE LINEAR LAYOUT	<input type="checkbox"/>

### PHASE 2 DIMENSIONS

		[mm]
WIDTH	<b>L</b>	
HEIGHT*	<b>H</b>	
BASE DEPTH**	<b>P</b>	
DOCUMENT SLOT HEIGHT	<b>Z</b>	
		[Q.ty]
NUMBER OF MODULES (ONLY FOR LINEAR LAYOUT)		

### PHASE 3 FINISH

/97 MATT ALUMINIUM	<input type="checkbox"/>
/6 MATT BLACK	<input type="checkbox"/>

\*recommended max. 1200mm

\*\*recommended min. H/2

### PHASE 4 QUANTITY

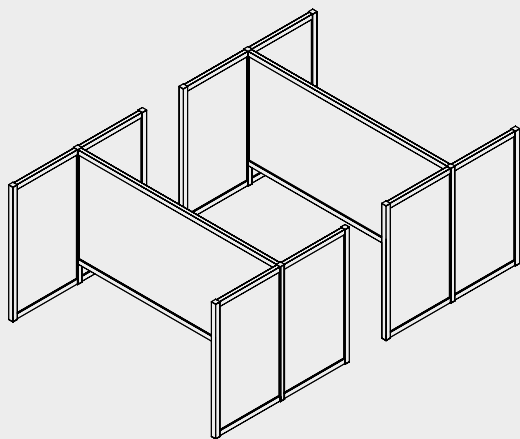
	[Q.ty]
KIT NO.	

Note: reserved for the Technical Department verify feasibility

Date ..... / ..... / ..... - Client .....

## FORM COMPLETION SIMULATION

### SIMULATION 1



#### PHASE 1 LAYOUT

SINGLE MODULE	<input checked="" type="checkbox"/>
MULTI-MODULE LINEAR LAYOUT	<input type="checkbox"/>

#### PHASE 2 DIMENSIONS

		[mm]
WIDTH	<b>L</b>	1600
HEIGHT*	<b>H</b>	870
BASE DEPTH**	<b>P</b>	300
DOCUMENT SLOT HEIGHT	<b>Z</b>	150
		[Q.ty]
NUMBER OF MODULES (ONLY FOR LINEAR LAYOUT)		

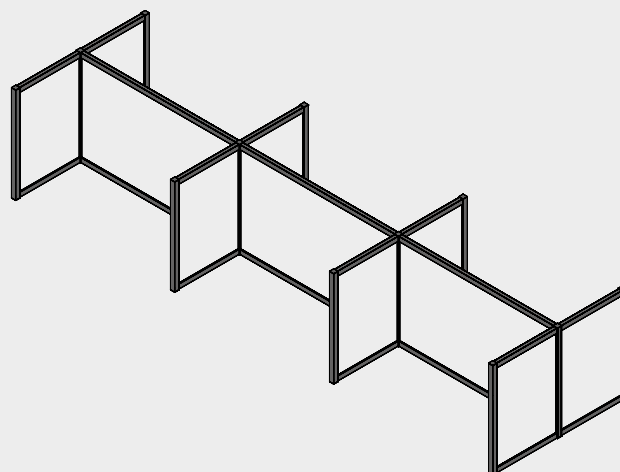
#### PHASE 3 FINISH

/97 MATT ALUMINIUM	<input checked="" type="checkbox"/>
/6 MATT BLACK	<input type="checkbox"/>

#### PHASE 4 QUANTITY

	[Q.ty]
KIT NO.	2

### SIMULATION 2



#### PHASE 1 LAYOUT

SINGLE MODULE	<input type="checkbox"/>
MULTI-MODULE LINEAR LAYOUT	<input checked="" type="checkbox"/>

#### PHASE 2 DIMENSIONS

		[mm]
WIDTH	<b>L</b>	1300
HEIGHT*	<b>H</b>	780
BASE DEPTH**	<b>P</b>	300
DOCUMENT SLOT HEIGHT	<b>Z</b>	0
		[Q.ty]
NUMBER OF MODULES (ONLY FOR LINEAR LAYOUT)		3

#### PHASE 3 FINISH

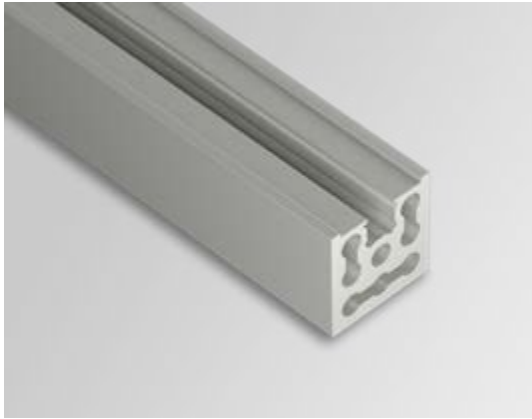
/97 MATT ALUMINIUM	<input type="checkbox"/>
/6 MATT BLACK	<input checked="" type="checkbox"/>

#### PHASE 4 QUANTITY

	[Q.ty]
KIT NO.	1







## ONE-WAY UPRIGHT PROFILE

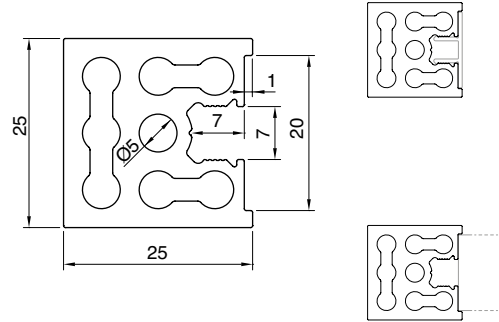
Material: extruded aluminium

Features: one-way profile for 6 - 6.76 mm plate insertion slot.

Can be connected at 90° without holes to transverse profiles using connector MECSF01 or completed with finish profiles MECSV01/MEDOC10.

Finish: matt aluminium, matt black.

On request (not available in stock) other anodised finish or RAL colours



Art.	Length	Q.ty
MEM251V.300	3000 mm	1 Pc
MEM251V.150	1498 mm	1 Pc
MEM251V.100	996 mm	1 Pc



## TWO-WAY UPRIGHT PROFILE

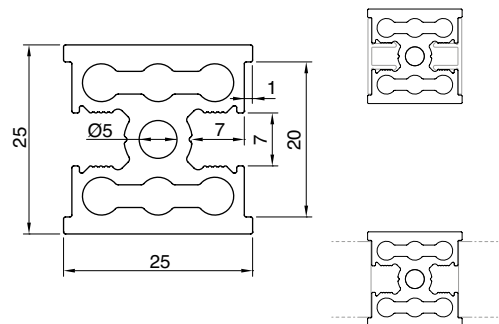
Material: extruded aluminium

Features: two-way profile for 6 - 6.76 mm plate insertion slot.

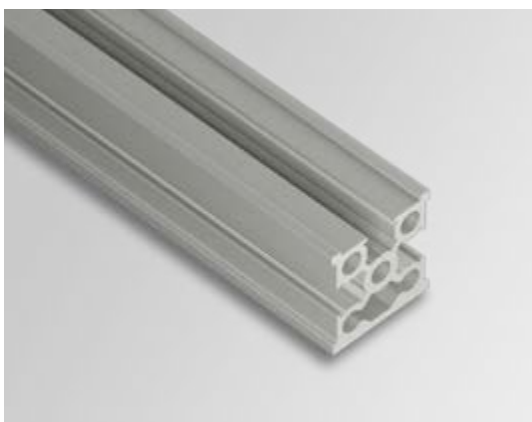
Can be connected at 90° without holes to transverse profiles using connector MECSF01 or laterally completed with finish profiles MECSV01/MEDOC10.

Finish: matt aluminium, matt black.

On request (not available in stock) other anodised finish or RAL colours



Art.	Length	Q.ty
MEM252V.300	3000 mm	1 Pc
MEM252V.150	1498 mm	1 Pc
MEM252V.100	996 mm	1 Pc



## THREE-WAY UPRIGHT PROFILE

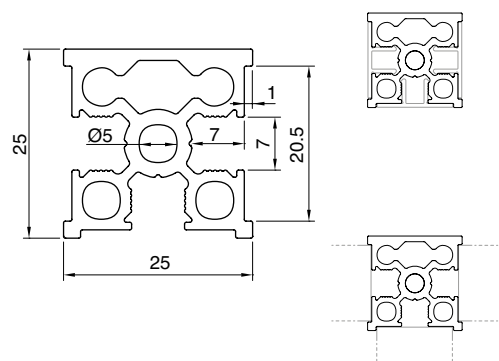
Material: extruded aluminium

Features: three-way profile for 6 - 6.76 mm plate insertion slot.

Can be connected at 90° without holes to transverse profiles using connector MECSF01 or laterally completed with finish profiles MECSV01/MEDOC10.

Finish: matt aluminium, matt black.

On request (not available in stock) other anodised finish or RAL colours



Art.	Length	Q.ty
MEM253V.300	3000 mm	1 Pc
MEM253V.150	1498 mm	1 Pc
MEM253V.100	996 mm	1 Pc



## FOUR-WAY UPRIGHT PROFILE

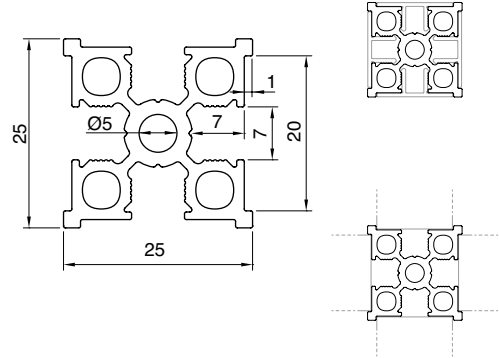
Material: extruded aluminium

Features: four-way profile for 6 - 6.76 mm plate insertion slot.

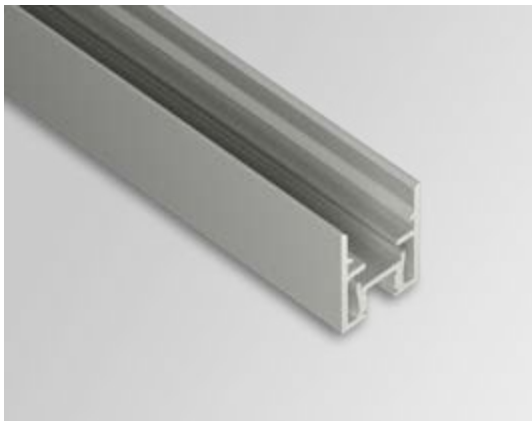
Can be connected at 90° without holes to transverse profiles using connector MECSF01 or laterally completed with finish profiles MECSV01 / MEDOC10.

Finish: matt aluminium, matt black.

On request (not available in stock) other anodised finish or RAL colours



Art.	Length	Q.ty
MEM254V.300	3000 mm	1 Pc
MEM254V.150	1498 mm	1 Pc
MEM254V.100	996 mm	1 Pc



## CONNECTION CROSS-BEAM

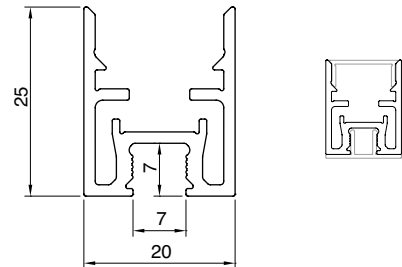
Material: extruded aluminium

Features: transverse profile for 6 - 6.76 mm plate insertion slot.

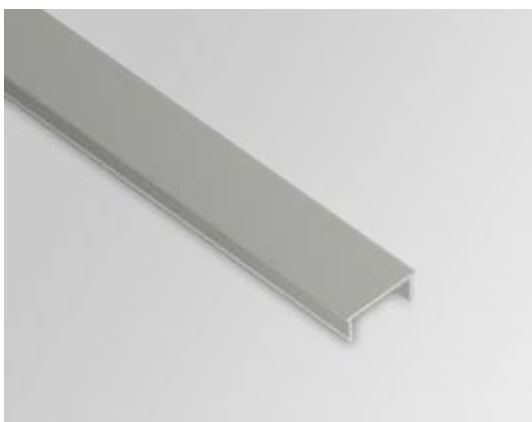
Designed to be connected at 90° without holes to upright profiles MEMNT1V, MEMNT2V, MEMNT3V or MEMNT4V with connector MECSV01 / MEDOC10.

Finish: matt aluminium, matt black.

On request (not available in stock) other anodised finish or RAL colours



Art.	Length	Q.ty
MET251V.300	3000 mm	1 Pc
MET251V.150	1498 mm	1 Pc
MET251V.100	952 mm	1 Pc



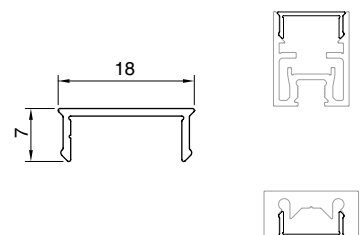
## SNAP-ON COVER FOR CROSS-BEAMS

Material: extruded aluminium

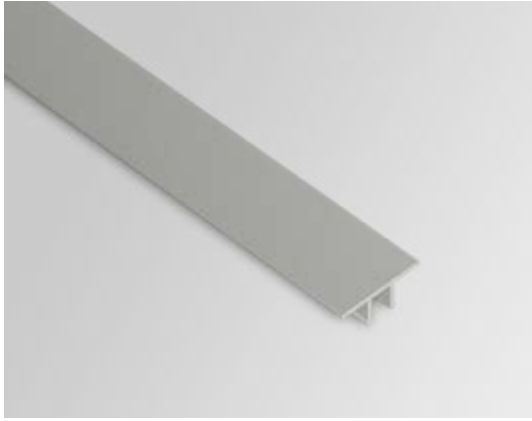
Features: aluminium cover finish designed to snap-on to the site of cross-beams METRA1V for the external finish.

Finish: matt aluminium, matt black.

On request (not available in stock) other anodised finish or RAL colours



Art.	Length	Q.ty
MECST01.300	3000 mm	1 Pc
MECST01.150	1498 mm	1 Pc
MECST01.100	952 mm	1 Pc



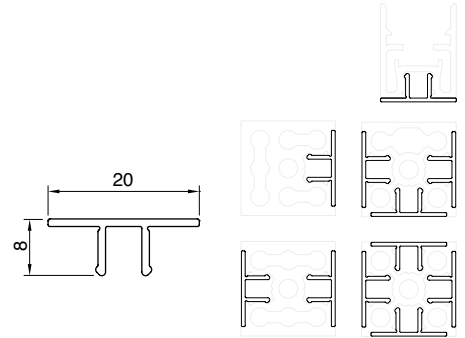
### SNAP-ON UPRIGHT COVER

Material: extruded aluminium

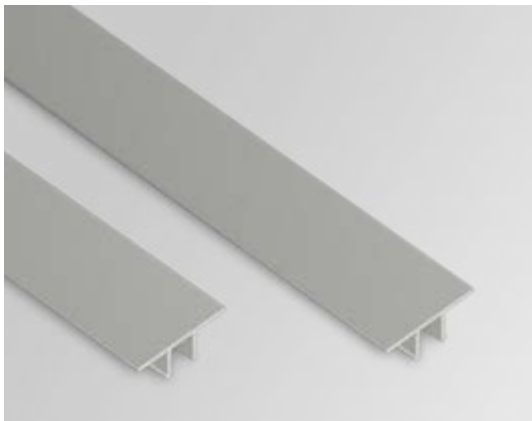
Features: aluminium finish cover designed to snap-on and cover the glass slot in upright profiles with one, two, three or four ways.

Finish: matt aluminium, matt black.

On request (not available in stock) other anodised finish or RAL colours



Art.	Length	Q.ty
MECSV01.300	3000 mm	1 Pc
MECSV01.150	1498 mm	1 Pc
MECSV01.100	996 mm	1 Pc



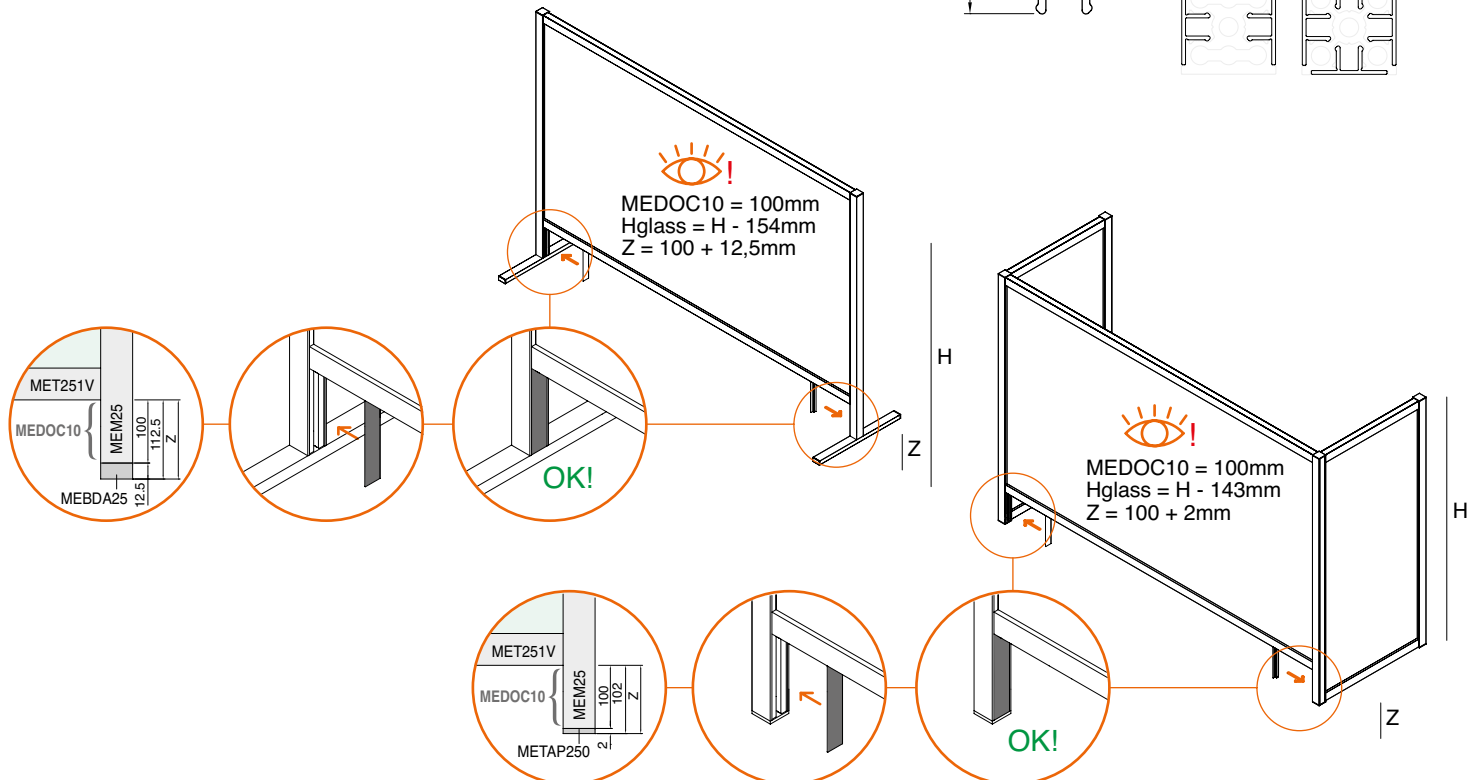
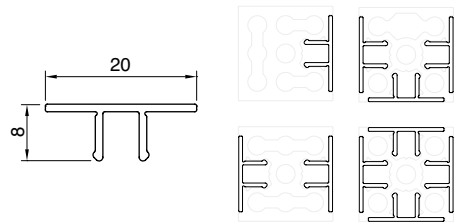
### SNAP-ON UPRIGHT COVER

Material: extruded aluminium

Features: set of two aluminium finish snap-on caps to cover the glass slots left visible on lateral profile profiles after installing the document tray.

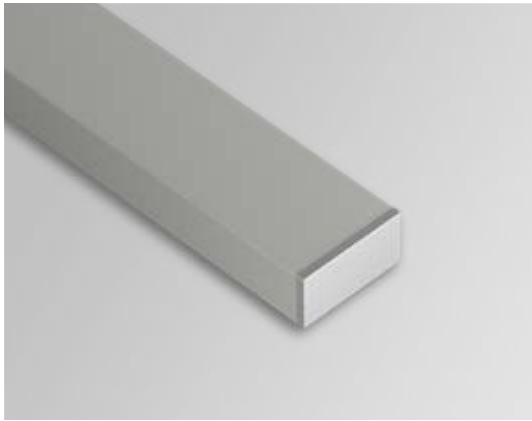
Finish: matt aluminium, matt black.

On request (not available in stock) other anodised finish or RAL colours



Art.	Description	Q.ty
MEDOC10	Set of two finish caps (length 100 mm) for document slot	1 Kit





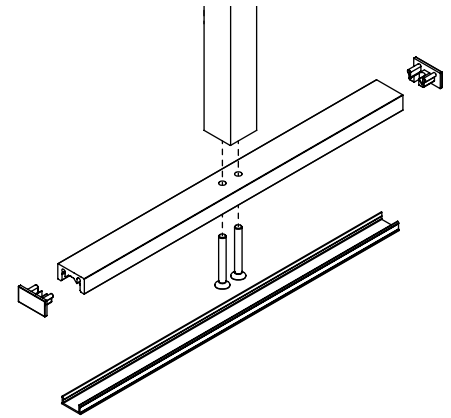
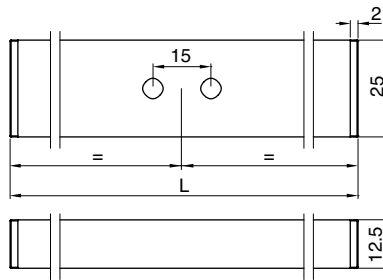
## COMPLETE BASE KIT

Material: extruded aluminium and POM

Features: pre-perforated base to be screwed onto the profiles, complete with two screws type VIT25AP, two caps METAP125 and bottom cover MECSTO1.

Finish: matt aluminium, matt black.

On request (not available in stock) other anodised finish or RAL colours



Art.	Length	Q.ty
<b>MEBDA25.030</b>	300 mm	1 Kit
<b>MEBDA25.025</b>	250 mm	1 Kit
<b>MEBDA25.020</b>	200 mm	1 Kit



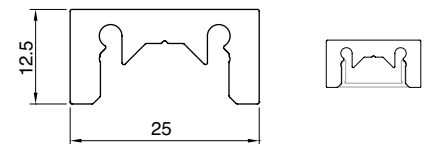
## BASE PROFILE

Material: extruded aluminium

Features: base profile to be screwed onto the base of profiles using screws VIT25AP. Allows to place cap METAP125 in a terminal position.

Finish: matt aluminium, matt black.

On request (not available in stock) other anodised finish or RAL colours



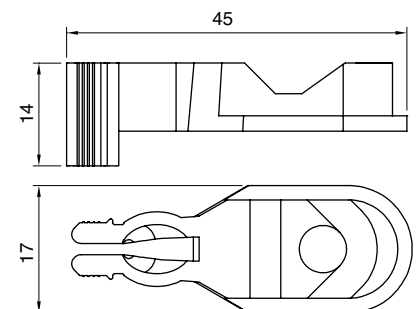
Art.	Length	Q.ty
<b>MET25AP.300</b>	3000 mm	1 Pc
<b>MET25AP.100</b>	996 mm	1 Pc



## PUSH-ON CONNECTOR

Material: POM and steel

Features: connector for joints without holes for upright profiles and cross-beams allows to join the aluminium profiles at 90°.



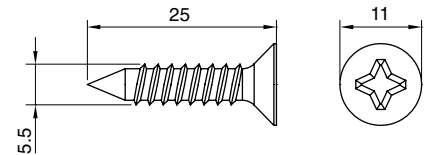
Art.	Description	Q.ty
<b>MECSFO1</b>	4 push-on connector set	1 Kit



### BASE FOOT SCREW

Material: STAINLESS STEEL

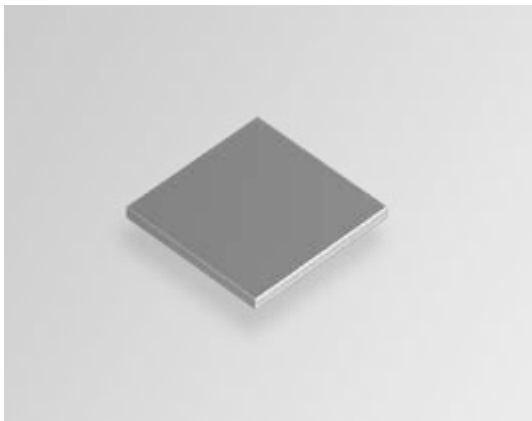
Features: set of 2 screws to connect base to profile of the base profile METRA25AP.



Art.  
**VIT25AP**

Description  
Self-tapping Phillips countersunk screw 5.5x25

Q.ty  
1 Kit



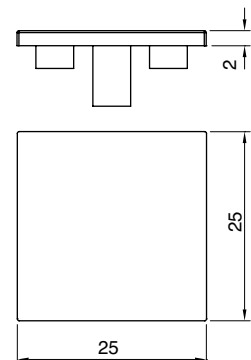
### FINISH CAP FOR UPRIGHT PROFILES

Material: POM

Features: End finishing cap for upright profiles.

Thickness 2 mm.

Finish: grey, black.



Art.  
**METAP250**

Dimensions  
25 x 25 x h 2 mm

Q.ty  
1 Pc



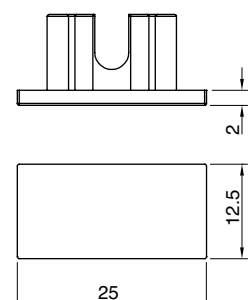
### FINISH CAP FOR FOOT

Material: POM

Features: End finishing cap for profiles METRA25AP.

Thickness 2 mm.

Finish: grey, black.



Art.  
**METAP125**

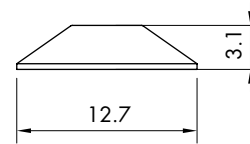
Dimensions  
25 x 12.5 x h 2 mm

Q.ty  
1 Pc



## ADHESIVE BUMPERS - SQUARE - 12.7 - H 3.1 mm

Material: polyurethane, self-adhesive, acrylic instant glue  
Resistant to UV radiations, they do not turn yellow - Colour: transparent



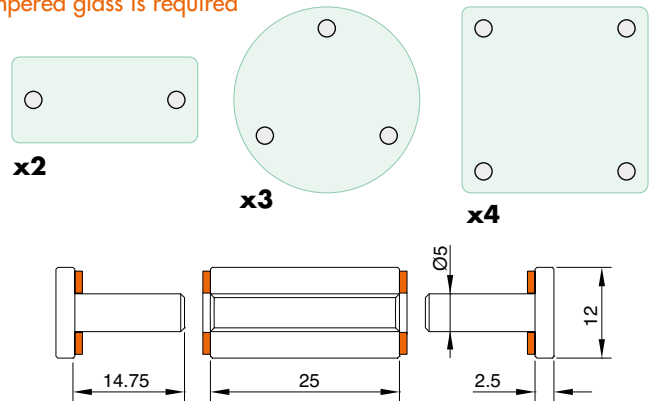
Art.	Dimensions	Thickness	Pc. per sheet	Hardness	Q.ty
GOC012	12.7 mm	3.1 mm	200	66-70 Shore A	1 pc.



## DOUBLE SPACER Ø12 x 30 mm

Material: brass  
Finish: matt painted aluminium, black matt painted.  
On request (not available in stock) other anodised finish or RAL colours

**NOTE:** in case of installation of accessories that required holes and/or cut out, a tempered glass is required



Art.	Description	Q.ty
DIST009	Double spacer Ø12 x 30 mm with flat head screw Ø12	1 Pc

The images and data contained in this catalogue provide a rough indication and may undergo changes even without forewarning



LOGLI MASSIMO SpA  
Via Chemnitz, 49/51  
59100 Prato - Italy  
Tel. +39.0574.701035  
Fax +39.0574.527574  
[www.loglimassimo.it](http://www.loglimassimo.it)  
[export@loglimassimo.it](mailto:export@loglimassimo.it)  
[info.lm@saint-gobain.com](mailto:info.lm@saint-gobain.com)



SPONSOR



ASSOCIATED PARTNERS

